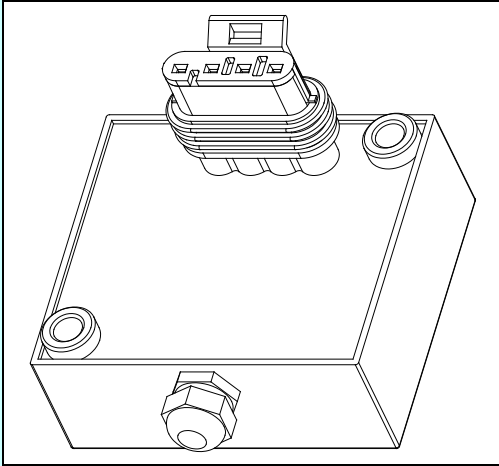


Signal converter

ADS-200 series



Description

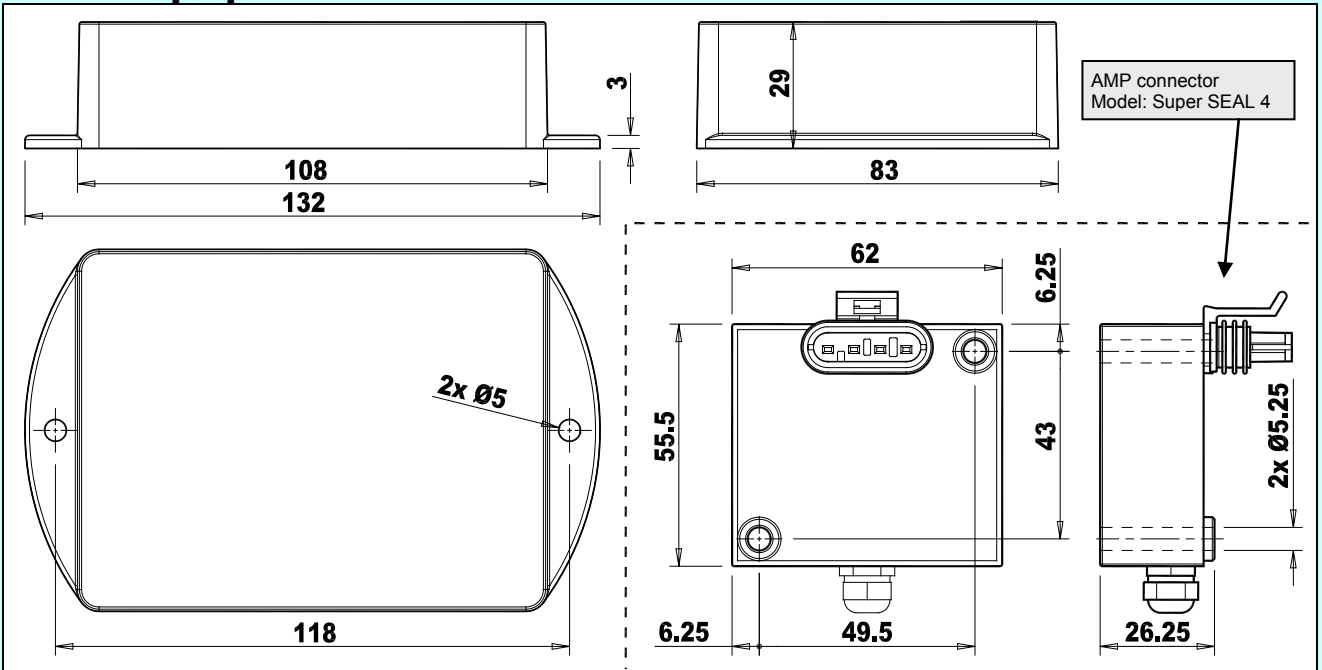
- Conversion of differential or amplified signals into voltage/current amplified or CAN signals
- Double channel version for PLd (EN13849-1) systems available on request
- Available for 12/24 Vdc power sources
- Analog inputs convertible into digital inputs on request
- Protected against over tensions and polarity inversion
- Compact housing
- CAN termination on request

Note: the user/installer is responsible for evaluating the values and, thus, the safety of the application.

Technical data

Power supply	9 to 33 Vdc	Protected against polarity inversion
Differential input	$\leq \pm 19 \text{ mV/V @ common mode 2.5 Vdc}$	-
Input resistor	$350 \Omega \leq R_i \leq 10000 \Omega$	-
Digital inputs	No	-
Analog inputs	two 4 to 20 mA or two 0.5 to 4.5 Vdc or one differential (mV)	Protected against short circuits and operator error. Convertible into one or two digital inputs
Analog inputs resolution	4 to 20 mA, 0.5 to 4.5 Vdc: 10 bit differentials: 16 bit, Gain=128	-
Digital outputs	none	-
Analog outputs	one 4 to 20 mA or one 0.5 to 4.5 Vdc	-
CAN connection	Yes	On request
Diagnostic	RS-232	On request
Operating temperature	-40 to +70 °C	-
Standard protection grade	IP 67	-
EMC conformity	EN 61000-6-3, EN 61000-6-2	-

Dimensions [mm]



It is prohibited to use this apparatus/accessory until the machine onto which it is mounted has been declared in conformity with the Machine Directive 98/37/EEC.

BPE Electronics Srl should modify technical data without advise

ADS-200 v.1.00 2010