

PRESSURE SWITCH

Series PW

Cat No PW - 01 - 01

Pressure switch - R1/8

Features

- Quick response
- Easy adjustability of set pressure
- Hysteresis adjustable



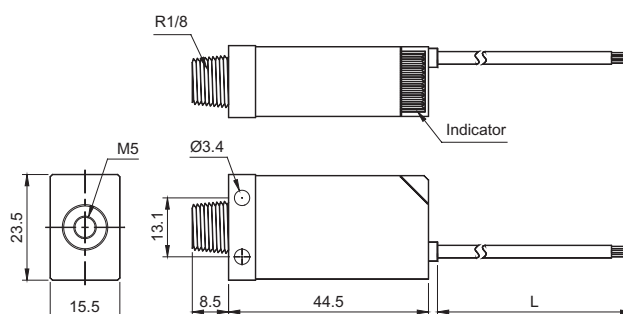
Application

Pressure switch can be used in compressed air applications. Some of the applications include,

- Protect pneumatic equipment / against over pressure
- For pressure sequencing
- Can be used in application, to operate sequentially

Technical Specifications

Ordering No.	PW0103504	PW0104504
Port size	R1/8	
Operating pressure range	0 - 10 bar	
Withstand pressure	15 bar	
Fluid	Air	
Power supply voltage	12 to 24V DC $\pm 10\%$, Ripple (P-P) 10% or less	
Response time	5ms or less	
Repeatability	$\pm 1\%$ F.S.	
Current consumption	21mA MAX.	
Environment	Enclosure	IP40
	Ambient temp. range	Operation : 0 ~ 50°C, Storage : -20 ~ 60°C (No condensation or freezing)
	Ambient humidity range	Operation / Storage : 35 ~ 85% RH (No condensation)
	Withstand voltage	1000VAC in 1-min (between case and lead wire)
	Insulation resistance	50Mohm min. (at 500V DC M, between case and lead wire)
	Vibration	Total amplitude 1.5mm, 10Hz-55Hz,-10Hz scan for 1 minute, two hours each direction of X, Y and Z
	Shock	980m/s ² (100G), 3 times each in direction of X, Y and Z
Temperature characteristic	$\pm 3\%$ F.S. (Standard: 25° C)	
Weight	50g (each including 1M lead wires)	
Output Specifications		
Connect diagram		
Characteristics	NPN open collector 30V 80mA	PNP open collector 80mA
Output method	NPN open collector 30V 80mA	
Hysteresis	1 ~ 10% of setting pressure (Adjustable)	
Setting points	1 point	
Operation indicating lamp	Light at ON (Red)	



Subject to change