

# NIPPLES

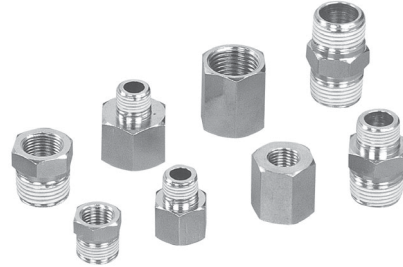
## Series WN

Cat No WN - 01 - 02

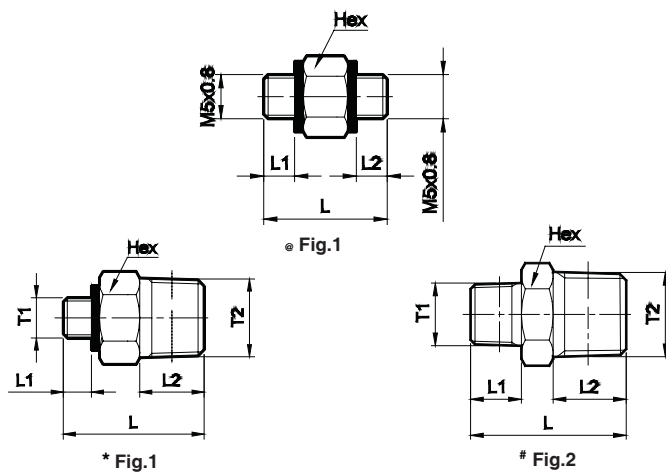
### NIPPLES M5, 1/8, 1/4, 3/8, 1/2

#### Features

- ❑ Wide variety of nipples available
- ❑ Nickel plated brass body
- ❑ Male (R) taper threads with thread sealant coating  
Male parallel threads with sealing washer (M5 only)

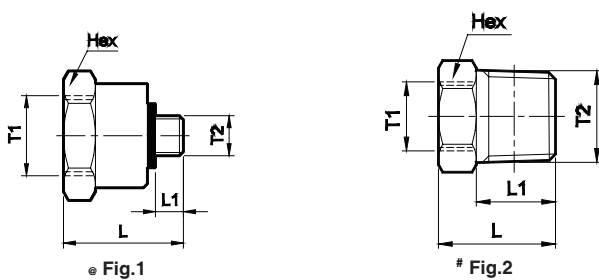


#### Male x Male Nipple



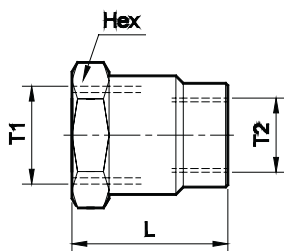
T1	T2	Hex	L	L1	L2	Ordering No
⊕ M5	M5	8	14	3.5	3.5	WN017070
* M5	R1/8	10	17.5	3.5	8	WN017050
# R1/8	R1/8	10	21	8	8	WN015050
# R1/8	R1/4	14	24.5	8	11.5	WN015051
# R1/4	R1/4	14	28	11.5	11.5	WN015151
# R1/4	R3/8	17	29.5	11.5	12	WN015152
# R3/8	R3/8	17	30	12	12	WN015252
# R3/8	R1/2	22	35.5	12	15.5	WN015253
# R1/2	R1/2	22	39	15.5	15.5	WN015353

#### Female x Male Nipple



T1	T2	Hex	L	L1	Ordering No
# M5	R1/8	10	13	8	WN027050
⊕ G1/8	M5	14	15	3.5	WN026070
# G1/8	R1/4	14	17	11.5	WN026051
# G1/4	R1/8	17	23.5	8	WN026150
# G1/4	R3/8	17	18.5	12	WN026152
# G3/8	R1/4	19	27.5	11.5	WN026251
# G3/8	R1/2	22	23.5	15.5	WN026253
# G1/2	R3/8	24	32	12	WN026352

#### Female x Female Nipple



T1	T2	Hex	L	Ordering No
M5	M5	8	8	WN037070
G1/8	M5	14	13	WN036070
G1/8	G1/8	14	15	WN036060
G1/4	G1/8	17	21	WN036160
G1/4	G1/4	17	22	WN036161
G3/8	G1/4	19	25	WN036261
G3/8	G3/8	19	23	WN036262
G1/2	G3/8	24	29.5	WN036362
G1/2	G1/2	24	30	WN036363

#### How to Order

While ordering Nipples, mention the ordering number given in the corresponding tables.

Subject to change