

MIST SEPERATOR

Series FS1

Cat No FS1 - 01 - 01

MIST SEPERATOR - 1/4, 1/2

Features

- Conforms to ISO 8573 - 1 standards.
- Borosilicate filtering element.
- 99.99% compressed filtered air upto 0.01micron to 0.1 micron.
- Suitable for Modular mounting
- Steel bowl guard, bayonet type on FS15 modles and threaded type on FS13 model.
- Press type Manual drain for easy operation.
- Separator for efficient moisture separation.



Application

These type of mist seperators are used in Chemical, Pharmaceutical, Food processing industry, Paintshops and for other precision pneumatic systems.

Function

- Removes submicronic oil, water droplets and solid contaminants from compressed air.
- Used for high efficient filtration of compressed air, removing fine oil particles and droplets of sizes upto 0.01 microns

Technical Specification

Model	FS13...		FS15...	
Medium	Compressed filtered air			
Port size	G1/4		G1/2	
Filtration #	0.01 µm	0.1 µm	0.01 µm	0.1 µm
Flow rate lts / min @	250	275	1500	2000
Max Supply pressure	10 bar			
Ambient / Medium temperature	5° - 60° C			
Bowl capacity (at maximum condensate level)	9 ml		44 ml	
Bowl material	Polycarbonate			
Installation	Vertical (as in the picture)			
Materials of construction	Aluminium, Borosilicate, Steel, Acetal, Polycarbonate, SS, Nitrile			
Weight	0.19 Kg		0.60 Kg	
Optional accessories *	Clamp, Modular mounting kit			

@ Supply pressure 6 bar , Pressure drop $\Delta p = 0.3$ bar

For details see " How to order "

* For details refer optional accessories Cat No. APA - 01

Precautions

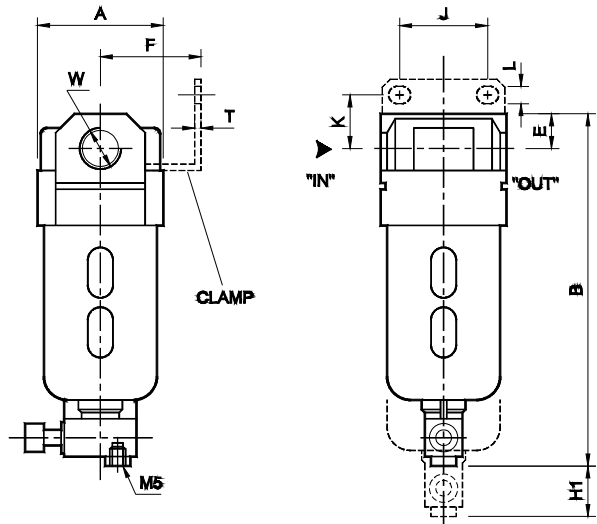
1. Mount the mist seperator in line, next to a standard air filter series F1 with 5 micron filter element.
2. Note the direction of flow before installation and connect piping accordingly.
3. Flush pipings for dirt, dust, rust and other foreign particles.
4. Install in clean atmosphere
5. Nipples of taper threads (R) to be used with teflon tape. Ensure Teflon tape does not enter the unit during tightening.
Nipples of straight threads (G) to be used with sealing washer.
6. Polycarbonate bowls may get damaged and possibly fail if exposed to synthetic oils, thinner, solvents, trichloroethylene kerosene or other aromatic hydrocarbons.

MIST SEPERATOR

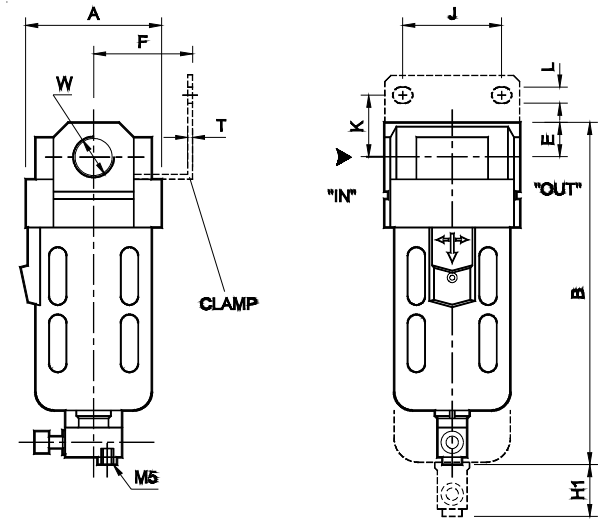
Series FS1

Cat No FS1 - 01 - 01

Model FS13



Model FS15

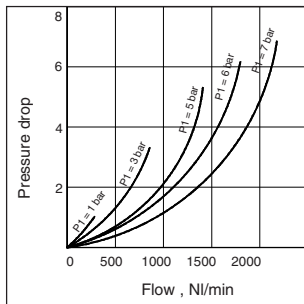


For Details of Clamp see optional accessories Cat No APA - 01

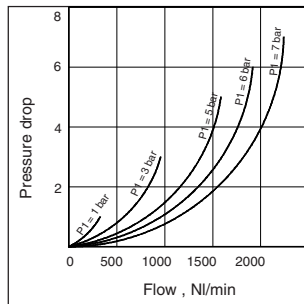
Model	W	A	B	E	K	F	J	L	T	H1
FS13	G1/4	40	113	11	15	30	28	5.5	2	50
FS15	G1/2	70	172	18	25	50	55	8.5	2	80

Flow Graphs

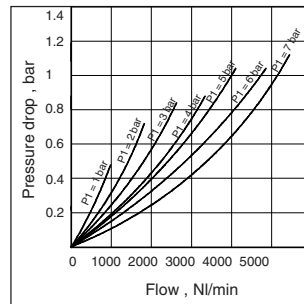
1/4 FILTER (0.01 micron)



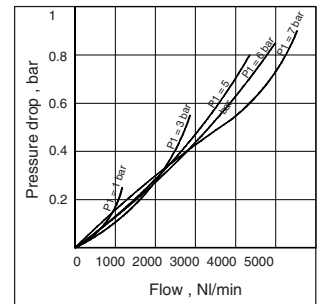
1/4 FILTER (0.1 micron)



1/2 FILTER(0.01 micron)



1/2 FILTER (0.1 micron)



How to order

FS1



Body & Port size
3 6 1 -- G 1 / 4
5 6 3 -- G 1 / 2



Filteration in µm
2 --- 0.01 µm
3 --- 0.1 µm

Ordering Example :- Filter - 1/4 size (with G1/4 port) with 0.1 micron filter : Ordering No: FS13613