

# MANUALLY OPERATED VALVE - M5

Series DP2

Cat No DP2 - 01 - 01

## PANEL MOUNTING VALVE - M5

### Features

- Poppet seating arrangement
- Suitable for Panel mounting
- Mounting provision for individual unit
- Basic unit common for all the switches
- Wide range of switches available

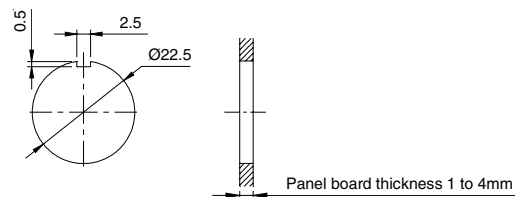


### Technical Specifications

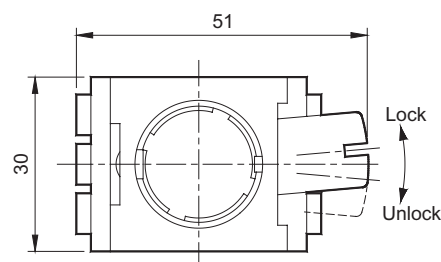
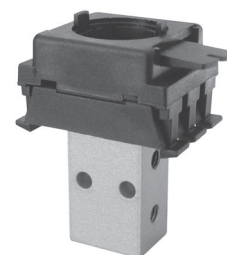
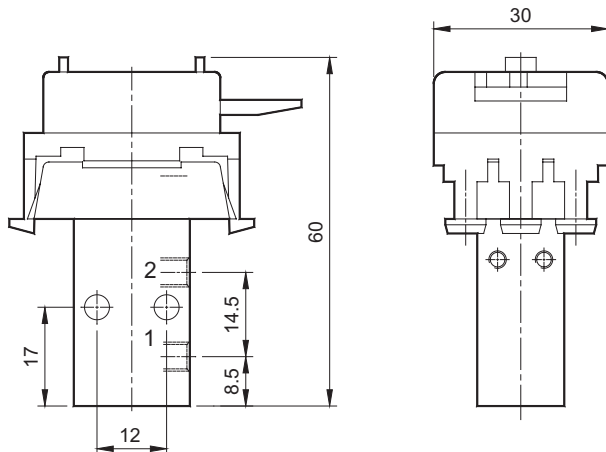
Model	DP2
Port size	M5
Ambient / Medium Temperature	5° - 60° C
Max. Working pressure	8 bar
Stroke	2.5 mm
Medium	Compressed air, Filtered, Lubricated
Flow <sup>®</sup> (1 → 2)	130 lpm
Materials of construction	Housing : Aluminium, Seals : Nitrile

® Inlet pressure 6 bar, and pressure drop 1 bar

Mounting hole dia



## 3 / 2 Stem actuated panel mounting valve



1 - Inlet, 2 - Outlet, 3 - Exhaust

Ordering No	DP242P70
Symbol	

# MANUALLY OPERATED VALVE - M5

Series DP2

Cat No DP2 - 01 - 01

## 3 / 2 Stem actuated panel mounting valve with Actuator

Mushroom head “ Push turn ”		Mushroom head “ Push function ”		Tip head		Flush head	
Colour	Ordering No	Colour	Ordering No	Colour	Ordering No	Colour	Ordering No
Red	DP242P70-MT1A	Red	DP242P70-MP1A	Black	DP242P70-TH3A	Red	DP242P70-FH1A
						Green	DP242P70-FH2A

--	--	--	--

Symmetric head		Lever head		Mushroom head with lock and key	
Colour	Ordering No	Colour	Ordering No	Colour	Ordering No
Black	DP242P70-SH3A	Black	DP242P70-LH3A	Red	DP242P70-ML1A

--	--	--

### How to Order

While ordering Manual & mechanical valves, mention the ordering number given in the corresponding tables.