

AIR PREPARATION UNITS

LUBRICATOR WITH METAL BOWL Series L1M

Cat No L1M - 1 - 02 - 01

LUBRICATOR with Metal Bowl - 3/4 & 1" SIZES

Features

- For higher pressure range above 10 bar
- Suitable for Modular mounting
- Fog / Mist type
- Fine adjustment of lubrication
- Aluminium bowl guard, bayonet type
- Lubrication proportional to flow



Technical Specifications

Model	L17...M	
Medium	Compressed air - Filtered	
Port size	G 3/4	G 1
Flow rate (lts/min) @	7200	9000
Max Supply pressure	20 bar	
Ambient / Medium temperature	5° - 60° C	
Min operating flow (lts/min)	50	50
Bowl capacity (at maximum condensate level)	200 ml	200 ml
Recommended oil	ISO VG 32 (Servo System 32)	
Bowl material	Aluminium	
Installation	Vertical (as in the picture)	
Materials of construction	Aluminium, Bronze, Steel, Acetal, SS, Nitrile	
Optional accessories *	Clamp, Modular mounting kit	
Weight	1.380	1.370

@ Supply pressure 6 bar, pressure drop $\Delta p = 0.5$ bar (For standard models)

* For details refer optional accessories Cat No. APA - 02

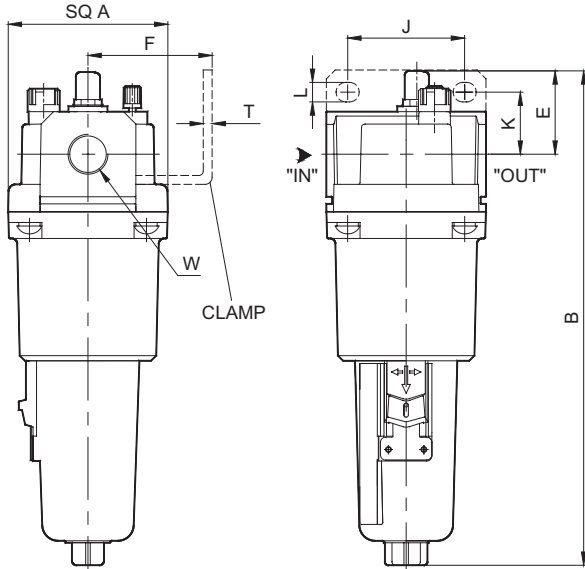
Precautions

1. Note the direction of flow before installation and connect piping accordingly.
2. Flush pipings for dirt, dust, rust and other foreign particles.
3. Install in clean atmosphere.
4. Nipples of taper threads (R) to be used with teflon tape. Ensure teflon tape does not enter the unit during tightening.
Nipples of straight threads (G) to be used with sealing washer.
5. Oil may be filled when under pressure. However it is recommended to vent the air completely before filling the oil.

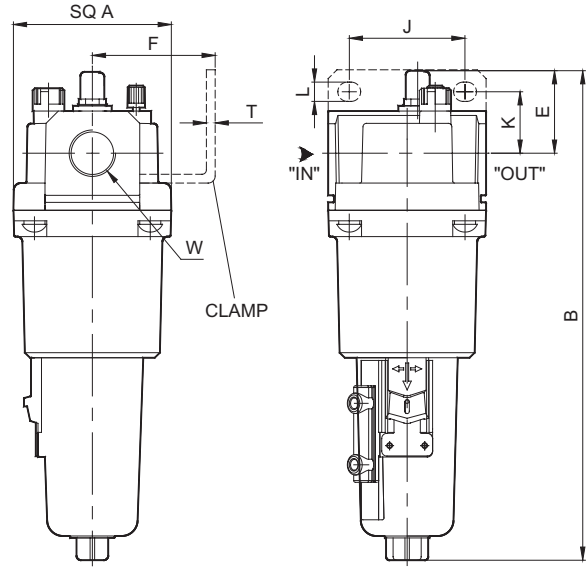
AIR PREPARATION UNITS
LUBRICATOR WITH METAL BOWL Series L1M

Cat No L1M - 1 - 02 - 01

Model L1764-M



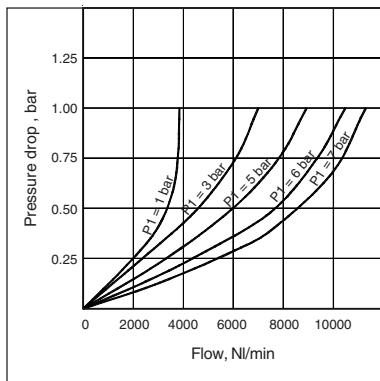
Model L1765-L



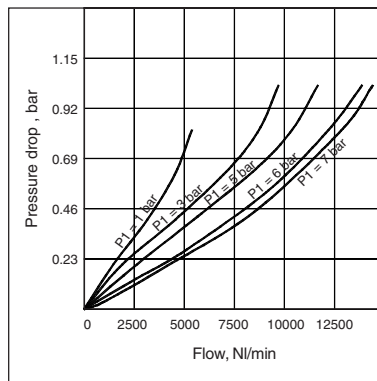
Model	W	A	B	E	K	F	J	L	T
L1764...M	G3/4	SQ 90	279	47	35	70	66	11	5
L1765...M	G1	SQ 90	279	47	35	70	66	11	5

Flow Graphs

3/4" LUBRICATOR



1" LUBRICATOR



How to order

- L 1** ○ — ○
- Body & Port size** **Metal bowl**
- 7 6 4 -- G 3 / 4 M - Without level indicator
- 7 6 5 -- G 1 L - With level indicator

Principle of Operation

A part of the air entering the Lubricator through "IN" pressurises the bowl chamber.

Flow of full air goes through "OUT" deflecting the "Deflector" and creating pressure drop below the sight dome .

The pressure in the Bowl presses the oil through the suction tube and the oil flows through the sight dome. All the oil drops seen through the sight dome mixes with the main - stream air and comes through "OUT". The required oil drops can be adjusted by the adjusting needle.

Ordering example :- Lubricator with Metal bowl with level indicator - G3/4 port size : Ordering No : L1764-L.

Subject to change