

AIR PREPARATION UNITS

LUBRICATOR Series L1

Cat No L1 - 1 - 02 - 01

LUBRICATOR - 3/4 & 1" SIZES

Features

- Conforms to ISO 6301 - 1
- Suitable for Modular mounting
- Fog / Mist type
- Fine adjustment of lubrication
- Steel bowl guard, bayonet type
- Lubrication proportional to flow



Technical Specifications

Model	L17	
Medium	Compressed air - Filtered	
Port size	G 3/4	G 1
Flow rate (lts/min) @	7200	9000
Max Supply pressure	10 bar	
Ambient / Medium temperature	5° - 60° C	
Min operating flow (lts/min)	50	50
Bowl capacity (at maximum condensate level)	200 ml	200 ml
Recommended oil	ISO VG 32 (Servo System 32)	
Bowl material	Polycarbonate	
Installation	Vertical (as in the picture)	
Materials of construction	Aluminium, Bronze, Steel, Acetal, Polycarbonate, SS, Nitrile	
Optional accessories *	Clamp, Modular mounting kit	
Weight	1.3 kg	1.2 kg

@ Supply pressure 6 bar, pressure drop $\Delta p = 0.5$ bar (For standard models)

* For details refer optional accessories Cat No. APA - 02

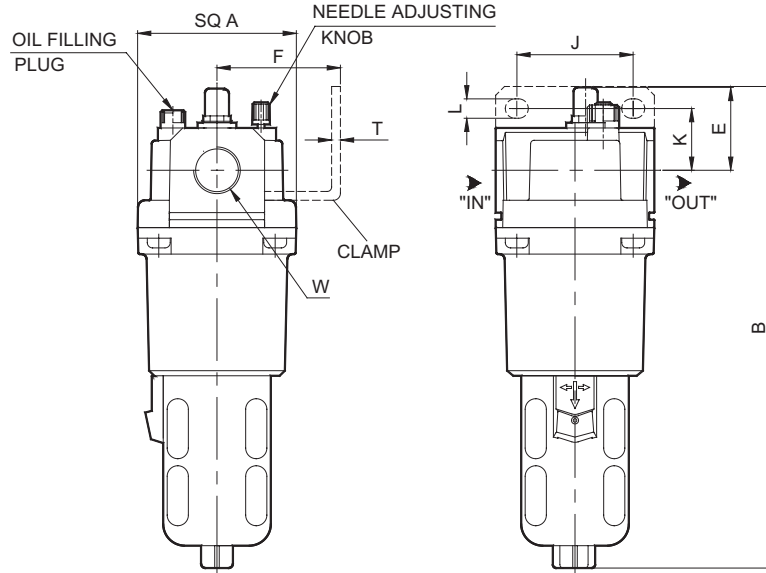
Precautions

1. Note the direction of flow before installation and connect piping accordingly.
2. Flush pipings for dirt, dust, rust and other foreign particles.
3. Install in clean atmosphere.
4. Nipples of taper threads (R) to be used with teflon tape. Ensure teflon tape does not enter the unit during tightening.
Nipples of straight threads (G) to be used with sealing washer.
5. Polycarbonate bowls may get damaged and possibly fail if exposed to synthetic oils, thinner, solvents, trichloroethylene, kerosene or other aromatic hydrocarbons.
6. Oil may be filled when under pressure. However it is recommended to vent the air completely before filling the oil.

AIR PREPARATION UNITS
LUBRICATOR Series L1

Cat No L1 - 1 - 02 - 01

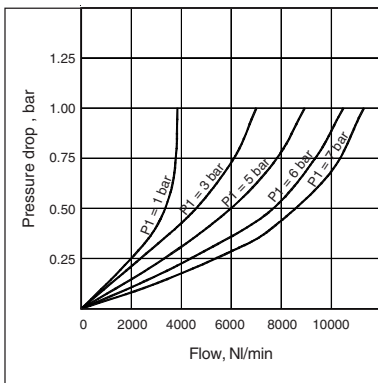
Model L1764, L1765



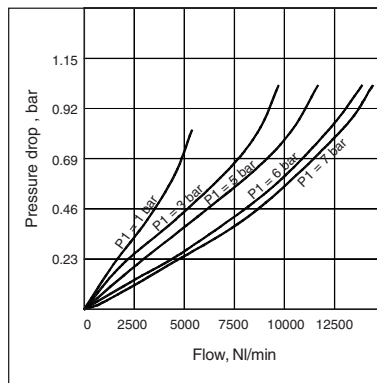
Model	W	A	B	E	K	F	J	L	T
L1764	G3/4	SQ 90	273	47	35	70	66	11	5
L1765	G1	SQ 90	273	47	35	70	66	11	5

Flow Graphs

3/4" LUBRICATOR



1" LUBRICATOR



How to order

L 1



Body & Port size

7 6 4 -- G 3 / 4

7 6 5 -- G 1

Principle of Operation

A part of the air entering the Lubricator through " IN " pressurises the bowl chamber.

Flow of full air goes through " OUT " deflecting the " Deflector " and creating pressure drop below the sight dome .

The pressure in the Bowl presses the oil through the suction tube and the oil flows through the sight dome. All the oil drops seen through the sight dome mixes with the main - stream air and comes through " OUT ". The required oil drops can be adjusted by the adjusting needle.

Ordering example :- Lubricator - 3/4 size (with G 3/4 port) : Ordering No : L1764.

Subject to change