



AIR PREPARATION UNITS

FILTER WITH INTERNAL AUTODRAIN - Series F1A

Cat No F1A - 1 - 02 - 01

AIR FILTER with Internal Autodrain - 3/4 & 1" SIZES

Features

- Suitable for Modular mounting
- Steel bowl guard, bayonet type.
- Internal Autodrain - Float type, no electrical connections required
 - Provided with manual drain
 - Provision for drain tube connection, to take the condensate away from the unit, to keep the working area clean.
- Bronze filtering element.
- Separator and shield for efficient moisture separation.



Technical Specifications

Model	F17.....A	
Medium	Compressed air	
Port size	G3/4	G1
Flow rate lts / min @	5000	6500
Max Supply pressure	10 bar	
Ambient / Medium temperature	5° - 60° C	
Filtration #	1 µm, 5 µm, 25 µm, 40 µm (standard), 50 µm, 100 µm	
Bowl capacity (at maximum condensate level)	165 ml	165 ml
Bowl material	Polycarbonate	
Installation	Vertical (as in the picture)	
Materials of construction	Aluminium, Bronze, Steel, Acetal, Polycarbonate, SS, Nitrile	
Optional accessories *	Clamp, Modular mounting kit, Pressure gauge	
Weight	1.4 Kg	1.3 Kg

@ Supply pressure 6 bar , Pressure drop $\Delta p = 0.3$ bar

For details see " How to order "

* For details refer optional accessories Cat No. APA - 02

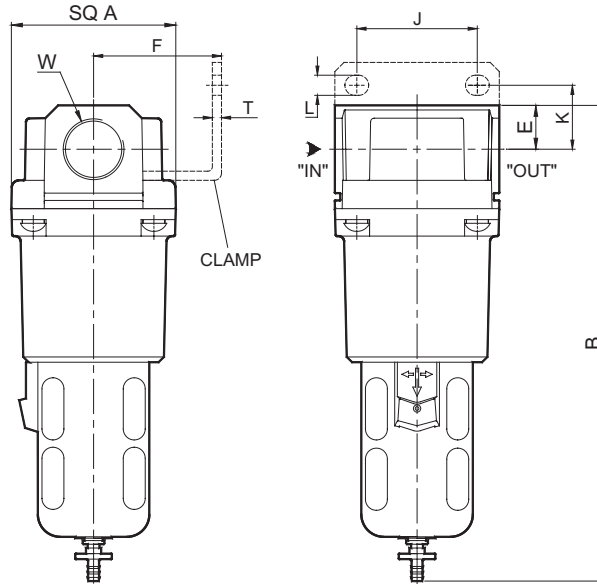
Precautions

1. Note the direction of flow before installation and connect piping accordingly.
2. Flush pipings for dirt, dust, rust and other foreign particles.
3. Install in clean atmosphere.
4. Nipples of taper threads (R) to be used with teflon tape. Ensure teflon tape does not enter the unit during tightening. Nipples of straight threads (G) to be used with sealing washer.
5. Polycarbonate bowls may get damaged and possibly fail if exposed to synthetic oils, thinner, solvents, trichloroethylene, kerosene or other aromatic hydrocarbons.

AIR PREPARATION UNITS
FILTER WITH INTERNAL AUTODRAIN - Series F1A

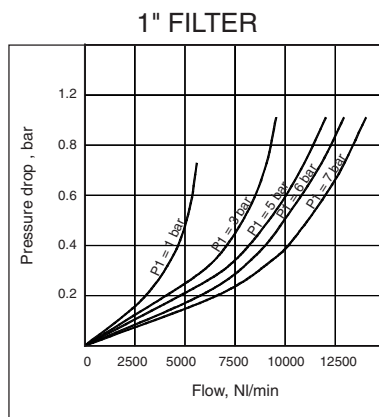
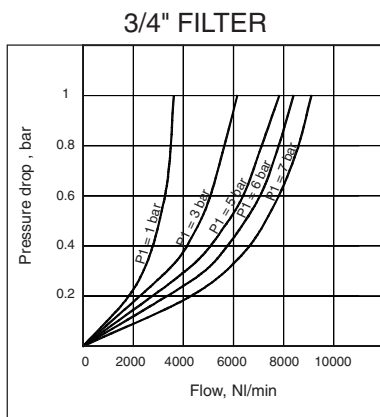
Cat No F1A - 1 - 02 - 01

Model F1764...A, F1765...A



Model	W	A	B	E	K	F	J	L	T
F1764...A	G3/4	SQ 90	260	24	35	70	66	11	5
F1765...A	G1	SQ 90	260	24	35	70	66	11	5

Flow Graphs



Flow graphs are for 40µm filtrations only

How to order

F1	○	○	---	A
	Body & Port size	Filtration µm		Internal Autodrain
	7 6 4 -- G 3 / 4	0 --- 1 µm		
	7 6 5 -- G 1	1 --- 5 µm		
		2 --- 25 µm		
		3 --- 40 µm (Standard)		
		4 --- 50 µm		
		5 --- 100 µm		

Ordering Example :- Filter - 3/4 size (with G 3/4 port) with a 50 µm Filter with Internal Autodrain: Ordering No: F17644-A
If ordered as 3/4 Filter with Internal Autodrain, our standard model F17643-A, with a 40 µm Filter with Internal Autodrain will be supplied .

Subject to change