

AIR PREPARATION UNITS FILTER WITH METAL BOWL Series F1M

Cat No F1M - 01 - 01

FILTER WITH METAL BOWL 1/4 3/8 1/2

Features

- For higher pressure range above 10 bar
- Suitable for Modular mounting
- Press type Manual drain for easy operation
- Suitable for Internal autodrain also
- Bronze filtering element
- Separator and shield for efficient moisture separation



Application

These type of filters are used for Chemical, Paintshops, Pharmaceutical, Foundry etc.

Technical Specifications

Model	F13...M	F14...M	F15...M
Medium	Compressed air		
Port size	G 1 / 4	G 3 / 8	G 1 / 2
Flow rate lts / min @	800	2250	3500
Max Supply pressure	20 bar		
Ambient / Medium temperature	5° - 60° C		
Filtration #	5 µm, 25 µm, 40 µm (standard), 50 µm, 100 µm		
Bowl capacity (at max. condensate level)	9 ml	64 ml	90 ml
Bowl material	Aluminium		
Installation	Vertical (as in the picture)		
Materials of construction	Aluminium, Bronze, Steel, SS, Nitrile		
Weight	0.20 Kg	0.45 Kg	0.85 Kg
Optional accessories *	Clamp, Modular mounting kit		

@ Supply pressure 6 bar , pressure drop $\Delta p = 0.3$ bar (For standard models).

For details see " How to order ".

* For details refer Optional accessories Cat No APA - 01.

Precautions

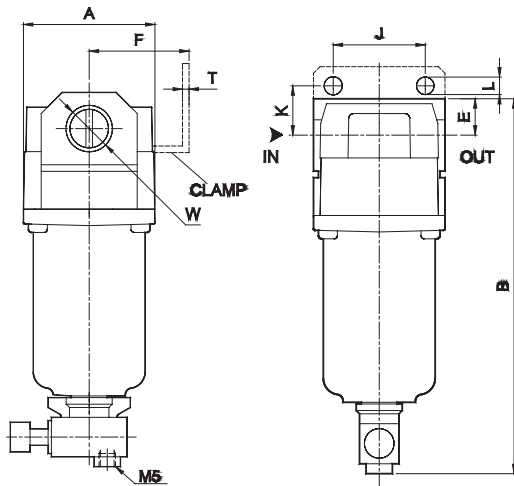
1. Note the direction of flow before installation and connect piping accordingly.
2. Flush pipings for dirt, dust, rust and other foreign particles.
3. Install in clean atmosphere.
4. Nipples of taper threads (R) to be used with teflon tape. Ensure teflon tape does not enter the unit during tightening.
Nipples of straight threads (G) to be used with sealing washer.

AIR PREPARATION UNITS

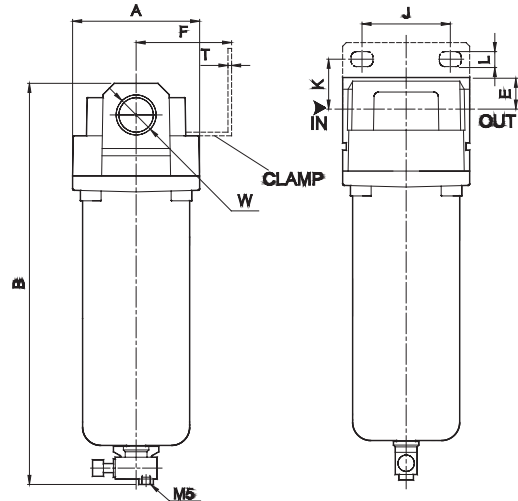
FILTER WITH METAL BOWL Series F1M

Cat No F1M - 01- 01

Model F13...M



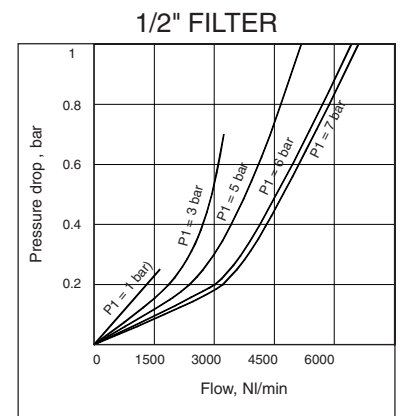
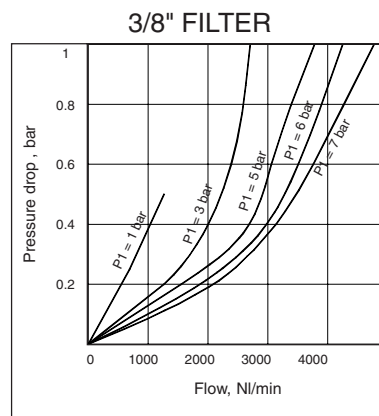
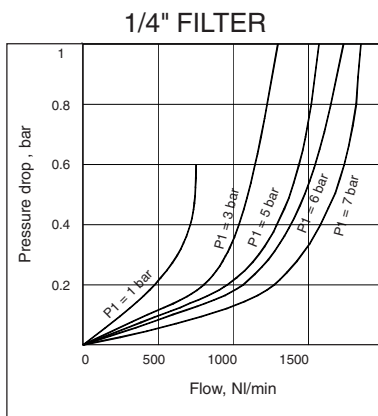
Model F14...M & F15...M



For Details of Clamp see optional accessories Cat No APA - 01

Model	W	A	B	E	K	F	J	L	T
F13	G1/4	40	115	11	15	30	28	5.5	2
F14	G3/8	55	188	14	25	40	40	6.5	2
F15	G1/2	70	224	18	25	50	55	8.5	2

Flow Graphs



How to order

F 1



Body & Port size

3 6 1 -- G 1 / 4
4 6 2 -- G 3 / 8
5 6 3 -- G 1 / 2



Filtration in μm

1 --- 5 μm
2 --- 25 μm
3 --- 40 μm (Standard)
4 --- 50 μm
5 --- 100 μm



M - Metal bowl

(Without level
Indicator)



Drain arrangement

M --- Manual Drain (Standard)
A* --- Auto Drain

* Auto Drain - G3/8 & G1/2 model only

Ordering example :- Filter - 3/8 size (with 3/8" port) with 50 μm and Metal bowl with Auto drain Ordering No: F14624 - MA.
If ordered as 3/8 " Filter with Metal bowl, our standard model F14623 - MM, with 40 μm will be supplied .

Subject to change