



AIR PREPARATION UNITS

FILTER WITH METAL BOWL - Series F1M

Cat No F1M - 1 - 02 - 01

AIR FILTER with Metal Bowl - 3/4 & 1" SIZES

Features

- For higher pressure range above 10 bar
- Suitable for Modular mounting
- Aluminium bowl guard, bayonet type.
- Press type Manual drain for easy operation
- Suitable for Internal autodrain also
- Bronze filtering element
- Separator and shield for efficient moisture separation



Application

These type of filters are used for Chemical, Paintshops, Pharmaceutical, Foundry etc.

Technical Specifications

Model	F17...M	
Medium	Compressed air	
Port size	G3/4	G1
Flow rate lts / min @	5000	6500
Max Supply pressure	20 bar	
Ambient / Medium temperature	5° - 60° C	
Filteration #	1 µm, 5 µm, 25 µm, 40 µm (standard), 50 µm, 100 µm	
Bowl capacity (at maximum condensate level)	165 ml	165 ml
Bowl material	Aluminium	
Installation	Vertical (as in the picture)	
Materials of construction	Aluminium, Bronze, Steel, Acetal, SS, Nitrile	
Optional accessories *	Clamp, Modular mounting kit, Pressure gauge	
Weight Kg	1.465	1.430

@ Supply pressure 6 bar , Pressure drop $\Delta p = 0.3$ bar

For details see " How to order "

* For details refer optional accessories Cat No. APA - 02

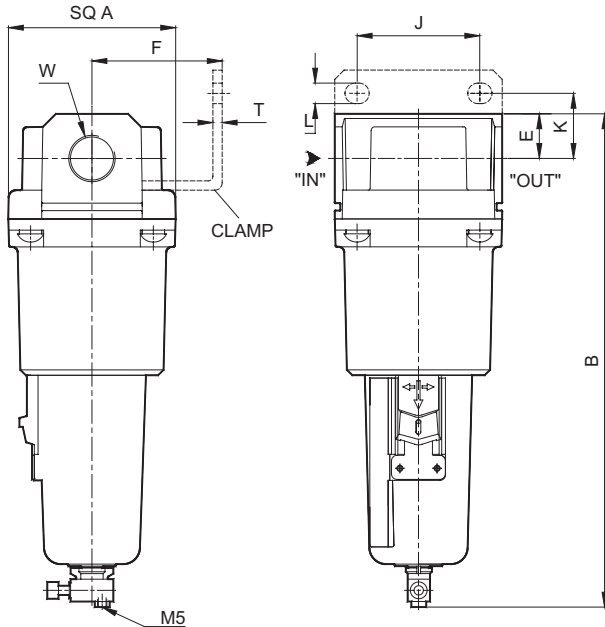
Precautions

1. Note the direction of flow before installation and connect piping accordingly.
2. Flush pipings for dirt, dust, rust and other foreign particles.
3. Install in clean atmosphere.
4. Nipples of taper threads (R) to be used with teflon tape. Ensure teflon tape does not enter the unit during tightening.
Nipples of straight threads (G) to be used with sealing washer.

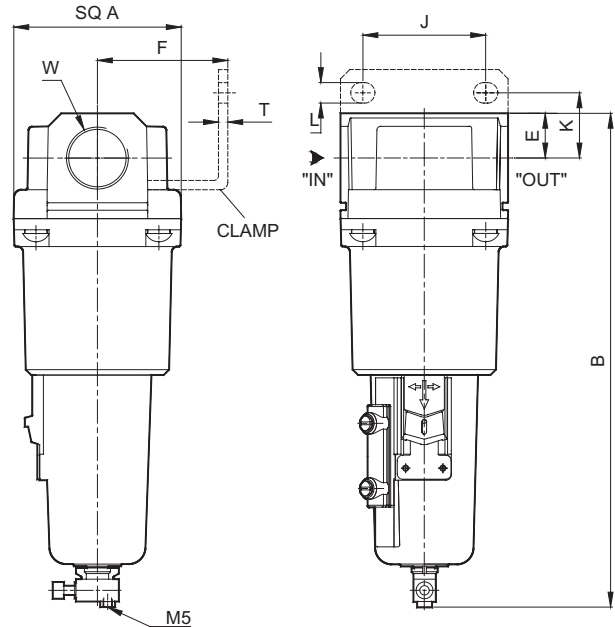
AIR PREPARATION UNITS
FILTER WITH METAL BOWL - Series F1M

Cat No F1M - 1 - 02 - 01

Model F1764....-MM



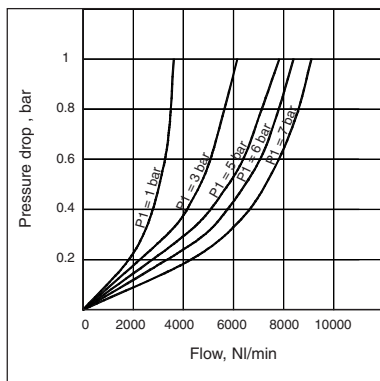
Model F1765....-LM



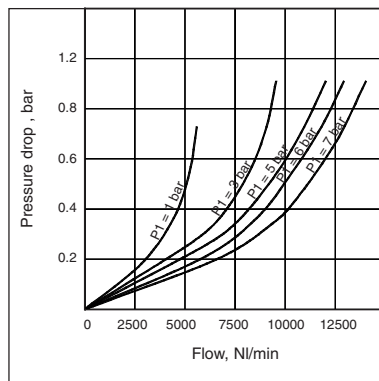
Model	W	A	B	E	K	F	J	L	T
F1764...M	G3/4	SQ 90	265	24	35	70	66	11	5
F1765...M	G1	SQ 90	265	24	35	70	66	11	5

Flow Graphs

3/4" FILTER



1" FILTER



Flow graphs are for 40µm filtrations only

How to order

F1



Body & Port size
7 6 4 -- G 3 / 4
7 6 5 -- G 1



Filtration µm
0 --- 1 µm
1 --- 5 µm
2 --- 25 µm
3 --- 40 µm (Standard)
4 --- 50 µm
5 --- 100 µm



Metal bowl
M - Without level indicator
L - With level indicator



Drain arrangement
M - Manual Drain (Standard)
A - Auto drain

Ordering Example :- Filter - 3/4 size (with G 3/4 port) with 50 µm Metal bowl with Autodrain : Ordering No: F17644-MA
If ordered as 3/4 Filter with Metal bowl, our standard model F17643-MM, 40 µm Filter, Without level indicator with Manual drain will be supplied.

Subject to change