

AIR PREPARATION UNITS

FILTER Series F1

Cat No F1 - 1 - 02 - 01

AIR FILTER - 3/4 & 1" SIZES

Features

- Conforms to ISO 5782 -1
- Suitable for Modular mounting
- Steel bowl guard, bayonet type.
- Press type Manual drain for easy operation.
- Bronze filtering element.
- Separator and shield for efficient moisture separation.



Technical Specifications

Model	F17	
Medium	Compressed air	
Port size	G3/4	G1
Flow rate lts / min @	5000	6500
Max Supply pressure	10 bar	
Ambient / Medium temperature	5° - 60° C	
Filteration #	1 µm, 5 µm, 25 µm, 40 µm (standard), 50 µm, 100 µm	
Bowl capacity (at maximum condensate level)	165 ml	165 ml
Bowl material	Polycarbonate	
Installation	Vertical (as in the picture)	
Materials of construction	Aluminium, Bronze, Steel, Acetal, Polycarbonate, SS, Nitrile	
Optional accessories *	Clamp, Modular mounting kit, Pressure gauge	
Weight	1.4 Kg	1.3 Kg

@ Supply pressure 6 bar, pressure drop $\Delta p = 0.3$ bar (For standard models)

For details see " How to order "

* For details refer optional accessories Cat No. APA - 02

Precautions

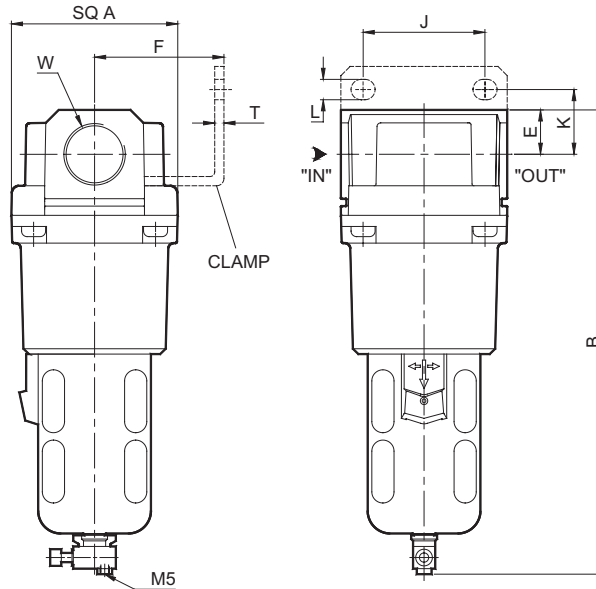
1. Note the direction of flow before installation and connect piping accordingly.
2. Flush pipings for dirt, dust, rust and other foreign particles.
3. Install in clean atmosphere.
4. Nipples of taper threads (R) to be used with teflon tape. Ensure teflon tape does not enter the unit during tightening.
Nipples of straight threads (G) to be used with sealing washer.
5. Polycarbonate bowls may get damaged and possibly fail if exposed to synthetic oils, thinner, solvents, trichloroethylene, kerosene or other aromatic hydrocarbons.

AIR PREPARATION UNITS

FILTER Series F1

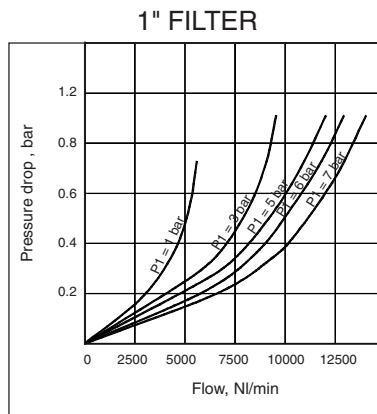
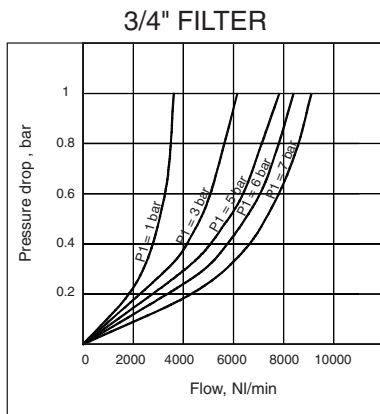
Cat No F1 - 1 - 02 - 01

Model F1764, F1765



Model	W	A	B	E	K	F	J	L	T
F1764	G3/4	SQ 90	260	24	35	70	66	11	5
F1765	G1	SQ 90	260	24	35	70	66	11	5

Flow Graphs



Flow graphs are for 40µm filtrations only

How to order

F 1



Body & Port size
7 6 4 -- G 3 / 4
7 6 5 -- G 1



Filtration µm
0 --- 1 µm
1 --- 5 µm
2 --- 25 µm
3 --- 40 µm (Standard)
4 --- 50 µm
5 --- 100 µm

Ordering example :- Filter - 3/4 size (with G 3/4 port) with 50µm filter : Ordering No : F17644

If ordered as 3/4 Filter, our standard model F17643, with 40 µm filter will be supplied.

Subject to change