

AIR PREPARATION UNITS

FILTER Series F1

Cat No F1- 02

AIR FILTER 1/4 3/8 1/2

Features

- Conforms to ISO 5782 -1
- Suitable for Modular mounting
- Steel bowl guard, bayonet type on F14 & F15 models and threaded type on F13 model.
- Press type Manual drain for easy operation.
- Bronze filtering element.
- Separator and shield for efficient moisture separation.



Technical Specifications

| Model | F13 | F14 | F15 |
|---|--|---------|---------|
| Medium | Compressed air | | |
| Port size | G 1 / 4 | G 3 / 8 | G 1 / 2 |
| Flow rate lts / min @ | 800 | 2250 | 3500 |
| Max Supply pressure | 10 bar | | |
| Ambient / Medium temperature | 5° - 60° C | | |
| Filtration # | 5 µm, 25 µm, 40 µm (standard), 50 µm, 100 µm | | |
| Bowl capacity (at maximum condensate level) | 9 ml | 32 ml | 44 ml |
| Bowl material | Polycarbonate | | |
| Installation | Vertical (as in the picture) | | |
| Materials of construction | Aluminium, Bronze, Steel, Acetal, Polycarbonate, SS, Nitrile | | |
| Weight | 0.19 Kg | 0.32 Kg | 0.60 Kg |
| Optional accessories * | Clamp, Modular mounting kit | | |

@ Supply pressure 6 bar , pressure drop $\Delta p = 0.3$ bar (For standard models).

For details see " How to order ".

* For details refer Optional accessories Cat No APA - 01.

Precautions

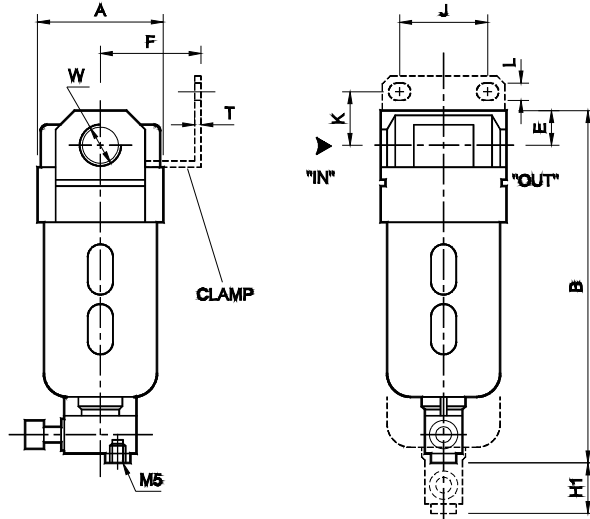
1. Note the direction of flow before installation and connect piping accordingly.
2. Flush pipings for dirt, dust, rust and other foreign particles.
3. Install in clean atmosphere.
4. Nipples of taper threads (R) to be used with teflon tape. Ensure teflon tape does not enter the unit during tightening. Nipples of straight threads (G) to be used with sealing washer.
5. Polycarbonate bowls may get damaged and possibly fail if exposed to synthetic oils, thinner, solvents, trichloroethylene, kerosene or other aromatic hydrocarbons.

AIR PREPARATION UNITS

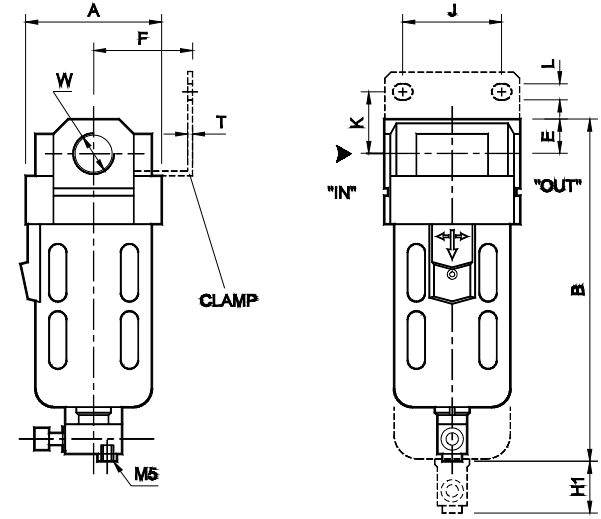
FILTER Series F1

Cat No F1-02

Model F13



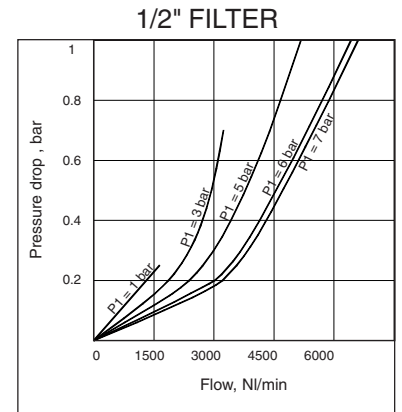
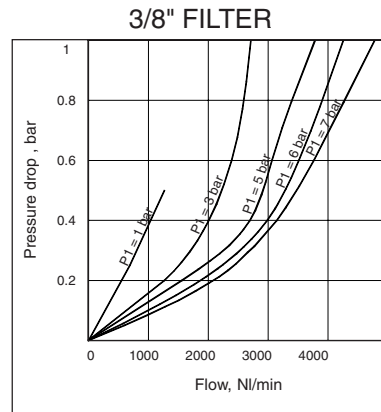
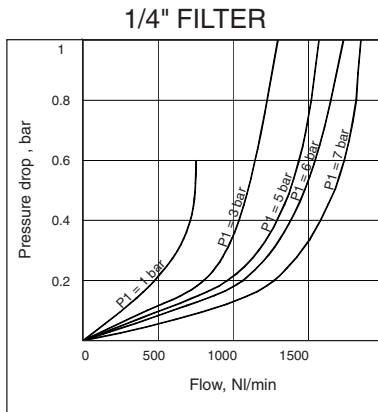
Model F14 & F15



For Details of Clamp see optional accessories Cat No APA - 01

| Model | W | A | B | E | K | F | J | L | T | H1 |
|-------|------|-----------------|-----|----|----|----|----|-----|---|----|
| F13 | G1/4 | 40 [□] | 113 | 11 | 15 | 30 | 28 | 5.5 | 2 | 50 |
| F14 | G3/8 | 55 [□] | 140 | 14 | 25 | 40 | 40 | 6.5 | 2 | 55 |
| F15 | G1/2 | 70 [□] | 172 | 18 | 25 | 50 | 55 | 8.5 | 2 | 80 |

Flow Graphs



How to order

F 1

○
Body & Port size
3 6 1 -- G 1 / 4
4 6 2 -- G 3 / 8
5 6 3 -- G 1 / 2

○
Filteration in μm
1 --- 5 μm
2 --- 25 μm
3 --- 40 μm (Standard)
4 --- 50 μm
5 --- 100 μm

Ordering example :- Filter - 3/8 size (with G 3/8 port) with 50 μm filter : Ordering No: F14624
If ordered as 3/8 Filter, our standard model F14623, with 40 μm will be supplied .

Subject to change