

AIR PREPARATION UNITS

FILTER REGULATOR COMBINATION WITH METAL BOWL - Series FRC1M

Cat No FRC1M - 1 - 02 - 01

FILTER REGULATOR COMBINATION with Metal Bowl - 3/4 & 1" SIZES

Features

- Modular type
- Suitable for panel mounting
- Filter
 - Bronze filtering element.
 - Separator and shield for efficient moisture separation.
 - Bayonet type Aluminium bowl guard
 - Press type manual drain for easy operation
 - Suitable for automatic drain
- Regulator
 - Diaphragm operated, relieving type.
 - Pressure compensated by balanced poppet.
 - Flow compensated
 - Non raising ' Press to lock ' adjusting knob
- Good flow and regulating characteristics.



Application

These type of filters are used for Chemical, Paintshops, Pharmaceutical, Foundry etc.

Technical Specifications

Model	FRC17....-M	
Medium	Compressed air	
Port size	G3/4	G1
Pressure gauge port size	G1/4	
Flow rate lts / min @	4250	5500
Max Supply pressure	20 bar	
Regulating Pressure Range #	0.2 - 2 bar, 0.2 - 4 bar, 0.5 - 7 bar, 0.5 - 10 bar (Standard)	
Ambient / Medium temperature	5° - 60° C	
Filteration #	1 µm, 5 µm, 25 µm, 40 µm (standard), 50 µm, 100 µm	
Bowl capacity (at maximum condensate level)	165 ml	165 ml
Bowl material	Aluminium	
Installation	Vertical (as in the picture)	
Materials of construction	Aluminium, Bronze, Steel, Acetal, SS, Nitrile	
Optional accessories *	Clamp, Modular mounting kit, Pressure gauge	
Weight Kg	2.155	2.120

@ Supply pressure 7 bar, Set pressure 6 bar, Pressure drop $\Delta p = 1$ bar (For standard models)

For details see " How to order "

* For details refer optional accessories Cat No. APA - 02

Precautions

1. Note the direction of flow before installation and connect piping accordingly.
2. Flush pipings for dirt, dust, rust and other foreign particles.
3. Install in clean atmosphere.
4. Nipples of taper threads (R) to be used with teflon tape. Ensure teflon tape does not enter the unit during tightening.
Nipples of straight threads (G) to be used with sealing washer.

Pressure Setting

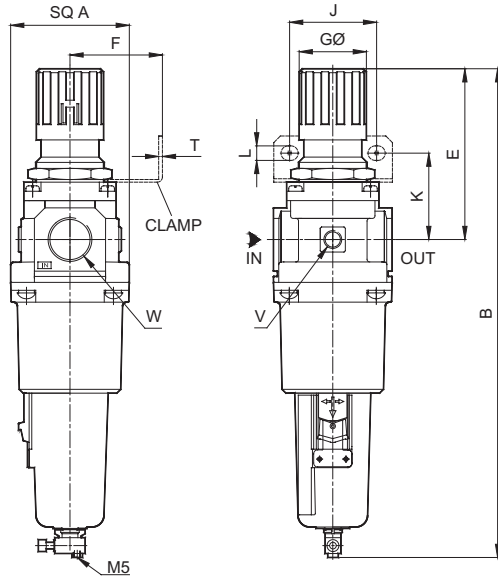
Pull the knob and adjust by turning the knob clockwise to increase the pressure. Push the knob back to its locked position.
(Turning the knob counter clockwise will reduce the pressure)

AIR PREPARATION UNITS

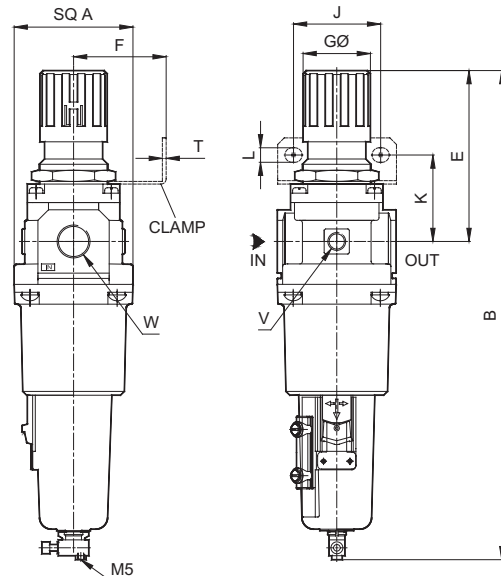
FILTER REGULATOR COMBINATION WITH METAL BOWL - Series FRC1M

Cat No FRC1M - 1 - 02 - 01

Model FRC17...-MM



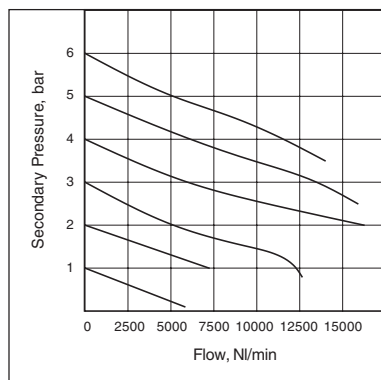
Model FRC17...-LM



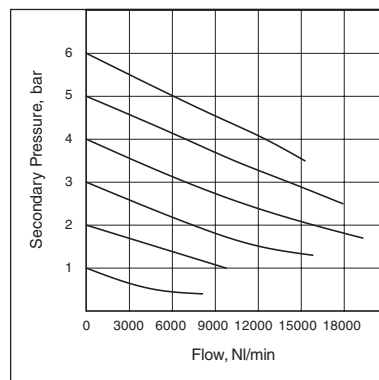
Model	W	V	A	B	E	K	F	GØ	J	L	T
FRC1764...M	G3/4	G1/4	SQ 90	371	130	65	70	51	66	11	5
FRC1765...M	G1	G1/4	SQ 90	371	130	65	70	51	66	11	5

Flow Graphs

3/4" FRC



1" FRC



Flow graphs are for 40µm filterations only

How to order

FRC1



—



Body & Port size

764 -- G 3/4

765 -- G 1

Filtration µm

0 --- 1 µm

1 --- 5 µm

2 --- 25 µm

3 --- 40 µm (Standard)

4 --- 50 µm

5 --- 100 µm

Pressure Range

1 -- 0.2 - 2 bar

2 -- 0.2 - 4 bar

3 -- 0.5 - 7 bar

4 -- 0.5 - 10 bar (Standard)

Metal bowl

M - Without level indicator

L - With level indicator

Drain arrangement

M - Manual Drain (Standard)

A - Auto drain

Ordering example :- Filter Regulator Combination - 3/4 size (with G3/4 port) with 5µm Filter and pressure range 0.5 - 7 bar, Metal bowl with Internal Autodrain : Ordering No : FRC 176413-MA

If ordered as FRC 3/4 with Metal bowl, our standard model FRC 176434-MM, with 40µm Filter and pressure range 0.5 - 10 bar, Without level indicator with Manual drain will be supplied.

Subject to change