

AIR PREPARATION UNITS

FILTER REGULATOR COMBINATION WITH INTERNAL AUTODRAIN - Series FRC1A

Cat No FRC1A - 1 - 02 - 01

FILTER REGULATOR COMBINATION with Internal Autodrain - 3/4 & 1" SIZES

Features

- Modular type
- Suitable for panel mounting
- Filter
 - Bronze filtering element.
 - Separator and shield for efficient moisture separation.
 - Bayonet type steel bowl guard
- Internal Autodrain - Float type, no electrical connections required.
 - Provided with manual drain.
 - Provision for drain tube connection, to take the condensate away from the unit, to keep the working area clean.
- Regulator
 - Diaphragm operated, relieving type.
 - Pressure compensated by Balanced poppet.
 - Flow compensated (with venturi) for faster response.
 - Non raising ' Press to lock ' adjusting knob for locking at any set pressure.
- Good flow and regulating characteristics.



Technical Specifications

Model	FRC17.....-A	
Medium	Compressed air	
Port size	G3/4	G1
Pressure gauge port size	G1/4	
Flow rate lts / min @	4250	5500
Max Supply pressure	2 - 10 bar	
Regulating Pressure Range #	0.2 - 2 bar, 0.2 - 4 bar, 0.5 - 7 bar, 0.5 - 10 bar (Standard)	
Ambient / Medium temperature	5° - 60° C	
Filteration #	1 µm, 5 µm, 25 µm, 40 µm (standard), 50 µm, 100 µm	
Bowl capacity (at maximum condensate level)	165 ml	165 ml
Bowl material	Polycarbonate	
Installation	Vertical (as in the picture)	
Materials of construction	Aluminium, Bronze, Steel, Acetal, Polycarbonate, SS, Nitrile	
Optional accessories *	Clamp, Modular mounting kit, Pressure gauge	
Weight Kg	2.100	2.065

@ Supply pressure 7 bar, Set pressure 6 bar, Pressure drop $\Delta p = 1$ bar (For standard models)

For details see " How to order "

* For details refer optional accessories Cat No. APA - 02

Precautions

1. Note the direction of flow before installation and connect piping accordingly.
2. Flush pipings for dirt, dust, rust and other foreign particles.
3. Install in clean atmosphere.
4. Nipples of taper threads (R) to be used with teflon tape. Ensure teflon tape does not enter the unit during tightening.
Nipples of straight threads (G) to be used with sealing washer.
5. Polycarbonate bowls may get damaged and possibly fail if exposed to synthetic oils, thinner, solvents, trichloroethylene kerosene or other aromatic hydrocarbons.

Pressure Setting

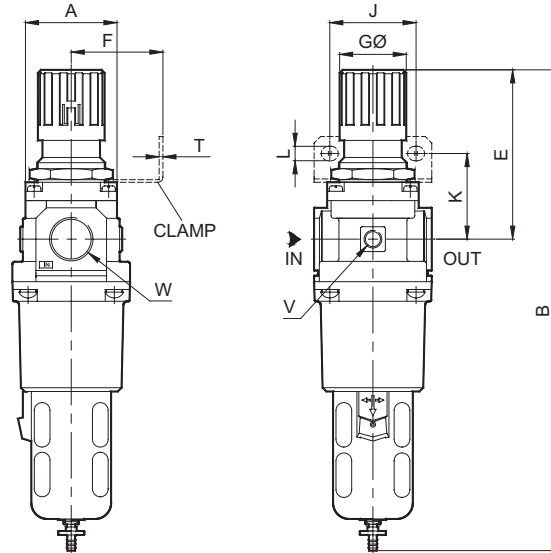
Pull the knob and adjust by turning the knob clockwise to increase the pressure. Push the knob back to its locked position. (Turning the knob counter clockwise will reduce the pressure)

AIR PREPARATION UNITS

FILTER REGULATOR COMBINATION WITH INTERNAL AUTODRAIN - Series FRC1A

Cat No FRC1A - 1 - 02 - 01

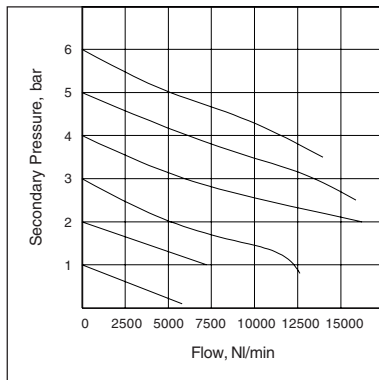
Model FRC1764...-A, FRC1765...-A



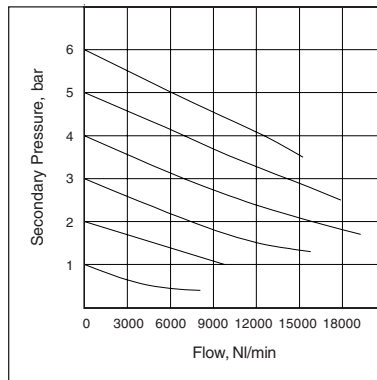
Model	W	V	A	B	E	K	F	GØ	J	L	T
FRC1764...A	G3/4	G1/4	SQ 90	368	130	65	70	51	66	11	5
FRC1765...A	G1	G1/4	SQ 90	368	130	65	70	51	66	11	5

Flow Graphs

3/4" FRC



1" FRC



Flow graphs are for 40µm filtrations only

How to order

FRC 1



Body & Port size
7 6 4 -- G 3 / 4
7 6 5 -- G 1



Filtration µm
0 --- 1 µm
1 --- 5 µm
2 --- 25 µm
3 --- 40 µm (Standard)
4 --- 50 µm
5 --- 100 µm



Pressure Range
1 -- 0.2 - 2 bar
2 -- 0.2 - 4 bar
3 -- 0.5 - 7 bar
4 -- 0.5 - 10 bar (Standard)



A

Internal Autodrain

Ordering example :- Filter Regulator Combination - 3/4 size (with G3/4 port) with 5µm Filter and pressure range 0.5 - 7 bar with Internal Autodrain : Ordering No : FRC 176413-A

If ordered as FRC 3/4 with Internal Autodrain our standard model FRC 176434-A, with 40µm Filter and pressure range 0.5 - 10 bar with Internal Autodrain will be supplied.

Subject to change