

## AIR PREPARATION UNITS

FILTER REGULATOR COMBINATION WITH INTERNAL AUTODRAIN - Series FRC1A

Cat No FRC1A - 01

### FILTER REGULATOR COMBINATION with Internal Autodrain - 3/8, 1/2 SIZES

#### Features

- Modular type
- Suitable for panel mounting
- Filter
  - Bronze filtering element.
  - Separator and shield for efficient moisture separation.
  - Bayonet type steel bowl guard
- Internal Autodrain - Float type, no electrical connections required.
  - Provided with manual drain.
  - Provision for drain tube connection, to take the condensate away from the unit, to keep the working area clean.
- Regulator
  - Diaphragm operated, relieving type.
  - Pressure compensated by Balanced poppet.
  - Flow compensated for faster response.
  - Non raising ' Press to lock ' adjusting knob for locking at any set pressure.
- Good flow and regulating characteristics.



#### Technical Specifications

Model	FRC14.....A	FRC15.....A
Medium	Compressed air	
Port size	G3/8	G1/2
Pressure gauge port size	G1/8	G1/8
Flow rate lts / min @	1800	3000
Operating pressure	2 - 10 bar	
Regulating Pressure Range #	0.2 - 2 bar, 0.2 - 4 bar, 0.5 - 7 bar, 0.5 - 10 bar (Standard)	
Ambient / Medium temperature	5° - 50° C	
Filtration #	5 µm, 25 µm, 40µm (Standard) , 50µm , 100 µm	
Bowl capacity ml (at maximum condensate level)	35	65
Bowl material	Polycarbonate	
Installation	Vertical (as in the picture)	
Materials of construction	Aluminium, Bronze, Steel, Acetal, Polycarbonate, SS, Nitrile	
Weight Kg	0.74	1.50
Optional accessories *	Clamp, Modular mounting kit, Pressure Gauge	

@ Supply pressure 7 bar , Set pressure 6 bar , Pressure drop  $\Delta p = 1$  bar ( For standard models )

# For details see " How to order "

\* For details refer optional accessories Cat No. APA - 01

#### Precautions

1. Note the direction of flow before installation and connect piping accordingly.
2. Flush pipings for dirt, dust, rust and other foreign particles.
3. Install in clean atmosphere.
4. Nipples of taper threads ( R ) to be used with teflon tape. Ensure teflon tape does not enter the unit during tightening.  
Nipples of straight threads ( G ) to be used with sealing washer.
4. Polycarbonate bowls may get damaged and possibly fail if exposed to synthetic oils, thinner, solvents, trichloroethylene kerosene or other aromatic hydrocarbons.

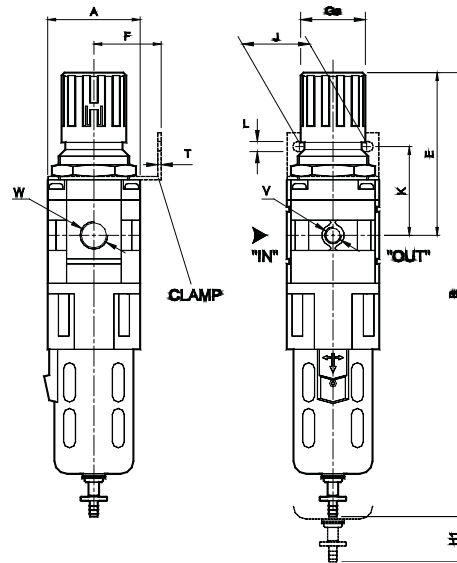
#### Pressure Setting

Pull the knob and adjust by turning the knob clockwise to increase the pressure. Push the knob back to its locked position.  
( Turning the knob counter clockwise will reduce the pressure )

# AIR PREPARATION UNITS

FILTER REGULATOR COMBINATION WITH INTERNAL AUTODRAIN - Series FRC1A

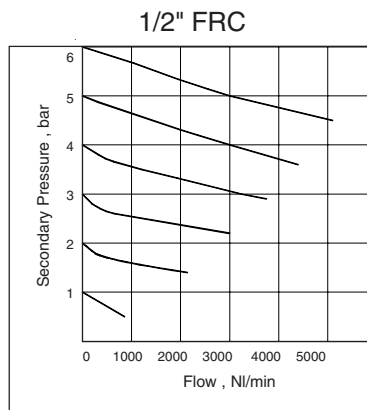
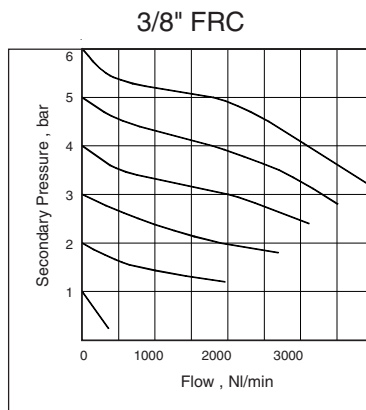
Cat No FRC1A - 01



For Details of Clamp see optional accessories Cat No APA - 01

Model	W	V	A	B	E	K	F	GØ	J	L	T	H1
FRC14.....A	G 3/8	G 1/8	55	272	95	53	40	40	40	6.5	2	60
FRC15.....A	G 1/2	G 1/8	70	335	125	62	50	51	55	8.5	2	85

## Flow Graphs



## How to order

**FRC1**



**Body & Port size**

4 6 2 -- G 3/8  
5 6 3 -- G 1/2



**Filtration in µm**

1 --- 5 µm  
2 --- 25 µm  
3 --- 40 µm (Standard)  
4 --- 50 µm  
5 --- 100 µm



**Pressure Range**

1 -- 0.2 - 2 bar  
2 -- 0.2 - 4 bar  
3 -- 0.5 - 7 bar  
4 -- 0.5 - 10 bar (Standard)



**A**

**Internal Autodrain**

**Ordering example :-** Filter Regulator Combination - 3/8 size (with G3/8 port) with a 5µm Filter, pressure range 0.5 - 7 bar with Internal Autodrain : Ordering No: FRC146213 - A.

If ordered as 3/8 FRC with Internal Autodrain, our standard model FRC146234 - A, with a 40µm Filter, pressure range 0.5 - 10 bar with Internal Autodrain will be supplied.

Subject to change