

AIR PREPARATION UNITS

FILTER REGULATOR COMBINATION Series FRC1

Cat No FRC1 - 1 - 02 - 01

FILTER REGULATOR COMBINATION - 3/4 & 1" SIZES

Features

- Modular type
- Suitable for panel mounting
- Filter
 - Bronze filtering element.
 - Separator and shield for efficient moisture separation.
- Regulator
 - Diaphragm operated, relieving type.
 - Pressure compensated by balanced poppet.
 - Flow compensated (with venturi) for faster response
 - Non raising ' Press to lock ' adjusting knob for locking at any set pressure.
- Steel bowl guard, bayonet type
- Good flow and regulating characteristics.



Technical Specifications

Model	FRC17	
Medium	Compressed air	
Port size	G3/4	G1
Pressure gauge port size	G1/4	
Flow rate lts / min @	4250	5500
Max Supply pressure	10 bar	
Regulating Pressure Range #	0.2 - 2 bar, 0.2 - 4 bar, 0.5 - 7 bar, 0.5 - 10 bar (Standard)	
Ambient / Medium temperature	5° - 60° C	
Filteration #	1 µm, 5 µm, 25 µm, 40 µm (standard), 50 µm, 100 µm	
Bowl capacity (at maximum condensate level)	165 ml	165 ml
Bowl material	Polycarbonate	
Installation	Vertical (as in the picture)	
Materials of construction	Aluminium, Bronze, Steel, Acetal, Polycarbonate, SS, Nitrile	
Optional accessories *	Clamp, Modular mounting kit, Pressure gauge	
Weight	2.090	2.050

@ Supply pressure 7 bar, Set pressure 6 bar, Pressure drop $\Delta p = 1\text{bar}$ (For standard models)

For details see " How to order "

* For details refer optional accessories Cat No. APA - 02

Precautions

1. Note the direction of flow before installation and connect piping accordingly.
2. Flush pipings for dirt, dust, rust and other foreign particles.
3. Install in clean atmosphere.
4. Nipples of taper threads (R) to be used with teflon tape. Ensure teflon tape does not enter the unit during tightening. Nipples of straight threads (G) to be used with sealing washer.
5. Polycarbonate bowls may get damaged and possibly fail if exposed to synthetic oils, thinner, solvents, trichloroethylene kerosene or other aromatic hydrocarbons.

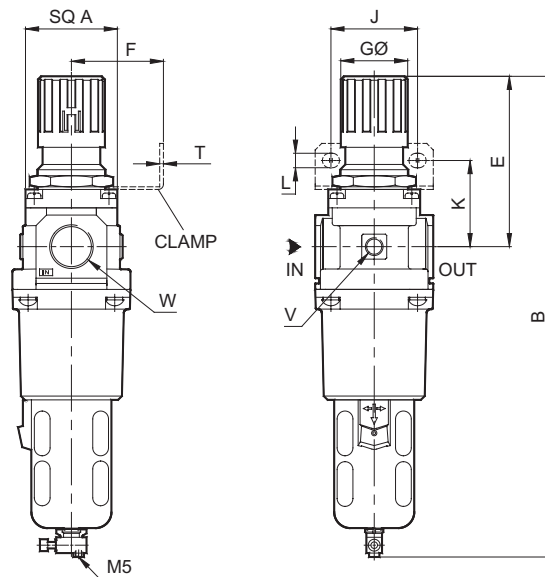
Pressure Setting

Pull the knob and adjust by turning the knob clockwise to increase the pressure. Push the knob back to its locked position. (Turning the knob counter clockwise will reduce the pressure)

AIR PREPARATION UNITS
FILTER REGULATOR COMBINATION Series FRC1

Cat No FRC1 - 1 - 02 - 01

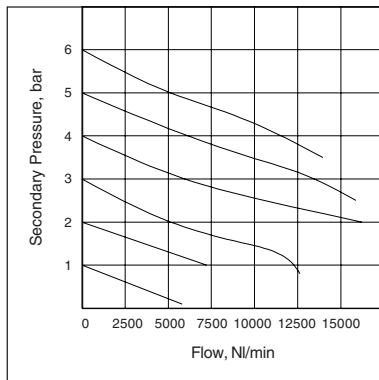
Model FRC1764, FRC1765



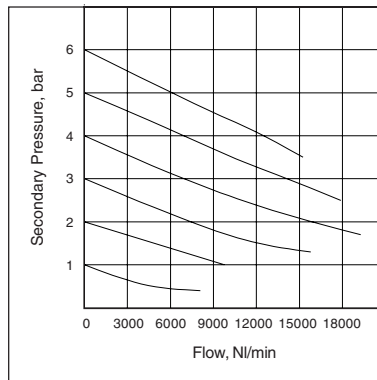
Model	W	V	A	B	E	K	F	GØ	J	L	T
FRC1764	G3/4	G1/4	SQ 90	370	130	65	70	51	66	11	5
FRC1765	G1	G1/4	SQ 90	370	130	65	70	51	66	11	5

Flow Graphs

3/4" FRC



1" FRC



Flow graphs are for 40µm filtrations only

How to order

FRC 1

○
Body & Port size
764 -- G3/4
765 -- G1

○
Filtration µm
0 --- 1 µm
1 --- 5 µm
2 --- 25 µm
3 --- 40 µm (Standard)
4 --- 50 µm
5 --- 100 µm

○
Pressure Range
1 -- 0.2 - 2 bar
2 -- 0.2 - 4 bar
3 -- 0.5 - 7 bar
4 -- 0.5 - 10 bar (Standard)

Ordering example :- Filter Regulator Combination - 3/4 size (with G3/4 port) with 5µm Filter and pressure range 0.5 - 7 bar : Ordering No : FRC 176413
If ordered as FRC 3/4 our standard model FRC 176434, with 40µm Filter and pressure range 0.5 - 10 bar will be supplied.

Subject to change