

## AIR PREPARATION UNITS

### FRCL MODULAR Series FRCLM1

Cat No FRCLM1 - 01 - 01

#### **FILTER REGULATOR COMBINATION - LUBRICATOR, MODULAR 1/4 3/8 1/2**

#### **Features**

- Modular type for easy and fast maintenance.
- Suitable for wall mounting.
- Filter
  - Bronze filtering element.
  - Separator and shield for efficient moisture separation.
  - Press type manual drain for easy operation
- Regulator
  - Diaphragm operated, relieving type.
  - Pressure compensated by Balanced poppet.
  - Flow compensated in models FRCLM14 and FRCLM15 for faster response.
  - Non raising ' Press to lock ' adjusting knob for locking at any set pressure.
- Lubricator
  - Fog / Mist type Lubricator.
  - Fine adjustment of lubrication.
  - Lubrication proportional to flow.
- Steel bowl guard, bayonet type on FRCLM14 & FRCLM15 models and threaded type on FRCLM13 model.
- Good flow and regulating characteristics.

#### Model FRCLM1.../W



#### Model FRCLM1.../S



#### **Technical Specifications**

Model	FRCLM13.../W	FRCLM13.../S	FRCLM14.../W	FRCLM14.../S	FRCLM15.../W	FRCLM15.../S
Medium	Compressed air					
Port size	G 1 / 4		G 3 / 8		G 1 / 2	
Pressure gauge port size	G 1 / 8		G 1 / 8		G 1 / 8	
Flow rate lts / min @	500		1250		2800	
Max Supply pressure	10 bar					
Regulating Pressure Range #	0.2 - 2 bar, 0.2 - 4 bar, 0.5 - 7 bar, 0.5 - 10 bar (Standard)					
Ambient / Medium temperature	5° - 60° C					
Filtration #	5 µm, 25 µm, 40 µm (standard), 50 µm, 100 µm					
Min operating flow lts / min	12		40		45	
Bowl capacity Filter (at maximum condensate level)	9 ml		32 ml		44 ml	
Bowl capacity Lubricator (at maximum condensate level)	20 ml		57 ml		152 ml	
Recommended oil	ISO VG 32 (Servo System 32)					
Bowl material	Polycarbonate					
Installation	Vertical (as shown in the picture)					
Materials of construction	Aluminium, Bronze, Brass, Steel, Acetal, Polycarbonate, SS, Nitrile					
Weight	0.54 Kg	0.51 Kg	1 Kg	0.95 Kg	2.01 Kg	1.92 Kg
Optional accessories *	Pressure gauge					

@ Supply pressure 7 bar , Set pressure 6 bar , Pressure drop Δ p = 1bar ( For standard models )

# For details see " How to order "

\* For details refer optional accessories Cat No. APA - 01

#### **Precautions**

1. Note the direction of flow before installation and connect piping accordingly.
2. Flush pipings for dirt, dust, rust and other foreign particles.
3. Install in clean atmosphere.
4. Nipples of taper threads ( R ) to be used with teflon tape. Ensure teflon tape doesnot enter the unit during tightening.  
Nipples of straight threads ( G ) to be used with sealing washer.
5. Polycarbonate bowls may get damaged and possibly fail if exposed to synthetic oils, thinner, solvents, trichloroethylene, kerosene or other aromatic hydrocarbons.

#### **Pressure Setting**

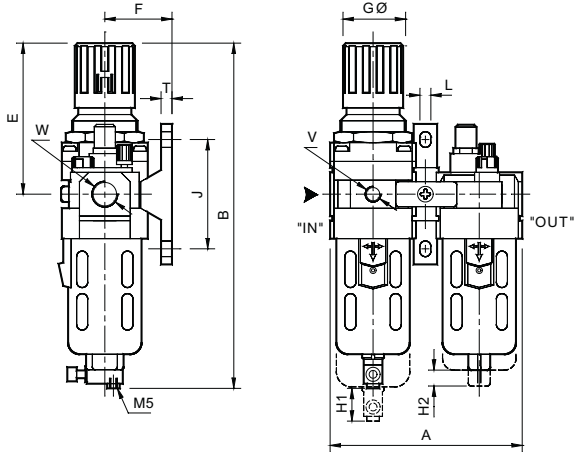
Pull the knob and adjust by turning the knob clockwise to increase the pressure. Push the knob back to its locked position.  
( Turning the knob counter clockwise will reduce the pressure )

# AIR PREPARATION UNITS

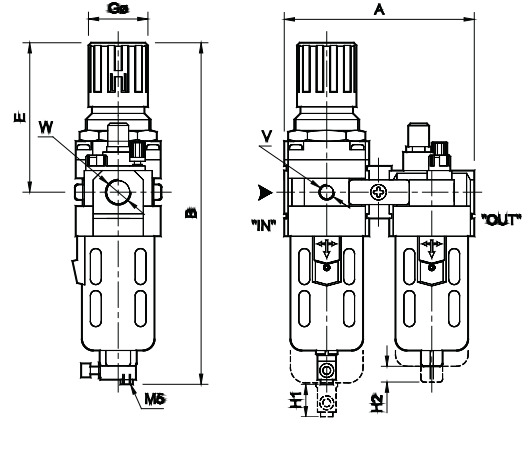
## FRCL MODULAR Series FRCLM1

Cat No FRCLM1 - 01 - 01

Model FRCLM1.../W



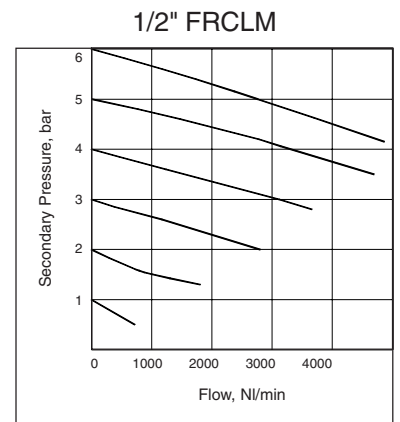
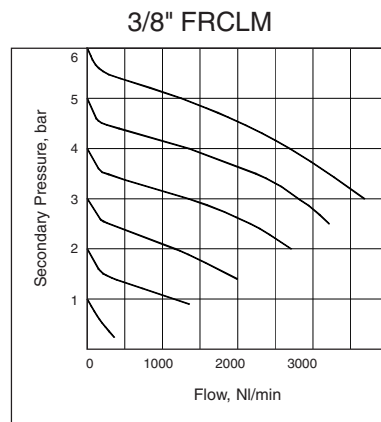
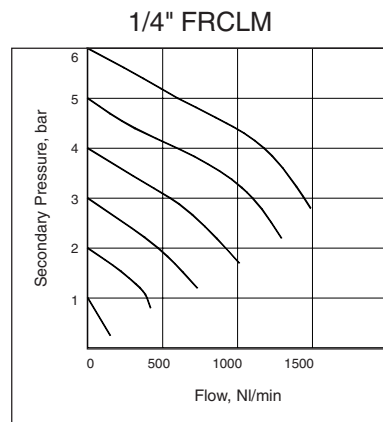
Model FRCLM1.../S



Model	W	V	A	B	E	F	GØ	J	L	T	H1	H2
FRCLM13.../W	G1/4	G1/8	92	170	68	35	28	50	7	7	50	35
FRCLM14.../W	G3/8	G1/8	124	220	95	45	40	70	7	7	55	45
FRCLM15.../W	G1/2	G1/8	156	280	125	55	51	90	9	9	80	45

Model	W	V	A	B	E	GØ	H1	H2
FRCLM13.../S	G1/4	G1/8	92	170	68	28	50	35
FRCLM14.../S	G3/8	G1/8	124	220	95	40	55	45
FRCLM15.../S	G1/2	G1/8	156	280	125	51	80	45

### Flow Graphs



### How to order

FRCLM1



**Body & Port size**

3 6 1 -- G 1 / 4  
4 6 2 -- G 3 / 8  
5 6 3 -- G 1 / 2



**Filtration in µm**

1 --- 5 µm  
2 --- 25 µm  
3 --- 40 µm (Standard)  
4 --- 50 µm  
5 --- 100 µm



**Pressure Range**

1 -- 0.2 - 2 bar  
2 -- 0.2 - 4 bar  
3 -- 0.5 - 7 bar  
4 -- 0.5 - 10 bar (Standard)



**Mounting**

W - Wall mounting bracket  
S - Spacer

**Ordering example :** Filter Regulator Combination and Lubricator Modular - 3/8 size ( with G3/8 port ) and wall mounting bracket with 5µm Filter and pressure range 0.5 - 7 bar : Ordering No: FRCLM146213 / W.