

AIR PREPARATION UNITS

FRCL MODULAR Series FRCLM1

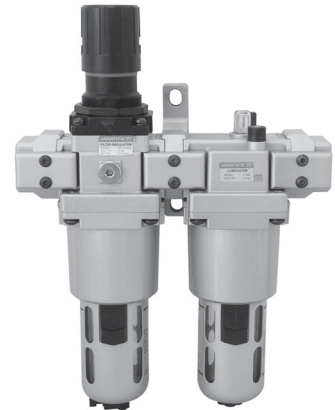
Cat No FRCLM1 - 1 - 02 - 01

FILTER REGULATOR COMBINATION - LUBRICATOR, MODULAR - 3/4 & 1" SIZES

Individual Filter Regulator Combination & Lubricator units easily removable / mountable without disturbing the pipe line

Features

- Modular type for easy and fast maintenance.
- Suitable for wall mounting.
- Filter
 - Bronze filtering element.
 - Separator and shield for efficient moisture separation.
 - Press type manual drain for easy operation.
- Regulator
 - Diaphragm operated, relieving type.
 - Pressure compensated by balanced poppet.
 - Flow compensated (with venturi) for faster response
 - Non raising ' Press to lock ' adjusting knob for locking at any set pressure.
- Lubricator
 - Fog / Mist type Lubricator.
 - Fine adjustment of lubrication.
 - Lubrication proportional to flow.
- Steel bowl guard, bayonet type.
- Good flow and regulating characteristics.



Technical Specifications

Model	FRCLM 17	
Medium	Compressed air	
Port size	G3/4	G1
Pressure gauge port size	G1/4	
Flow rate lts / min @	3500	4000
Max Supply pressure	10 bar	
Regulating Pressure Range #	0.2 - 2 bar, 0.2 - 4 bar, 0.5 - 7 bar, 0.5 - 10 bar (Standard)	
Ambient / Medium temperature	5° - 60° C	
Filteration #	1 µm, 5 µm, 25 µm, 40 µm (standard), 50 µm, 100 µm	
Min operating flow lts / min	50	50
Bowl capacity Filter (at maximum condensate level)	165 ml	165 ml
Bowl capacity Lubricator (at maximum condensate level)	165 ml	165 ml
Recommended oil	ISO VG 32 (Servo System 32)	
Bowl material	Polycarbonate	
Installation	Vertical (as shown in the picture)	
Materials of construction	Aluminium, Bronze, Brass, Steel, Acetal, Polycarbonate, SS, Nitrile	
Optional accessories *	Modular mounting kit, Pressure gauge	
Weight	4.175	4.070

@ Supply pressure 7 bar, Set pressure 6 bar, Pressure drop $\Delta p = 1$ bar (For standard models)

For details see " How to order "

* For details refer optional accessories Cat No. APA - 02

Pressure Setting

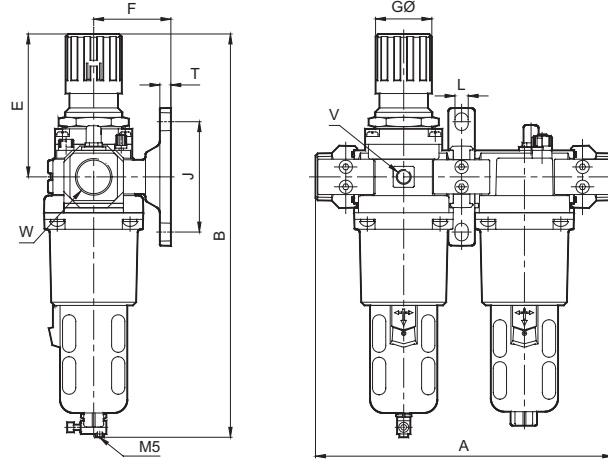
Pull the knob and adjust by turning the knob clockwise to increase the pressure. Push the knob back to its locked position. (Turning the knob counter clockwise will reduce the pressure)

AIR PREPARATION UNITS

FRCL MODULAR Series FRCLM1

Cat No FRCLM1 - 1 - 02 - 01

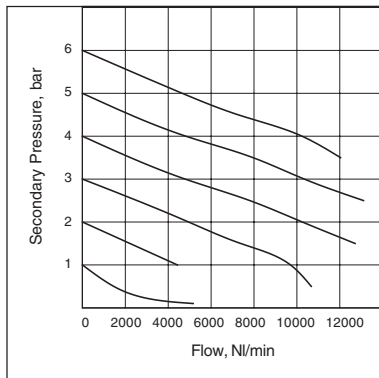
Model FRCLM1764, FRCLM1765



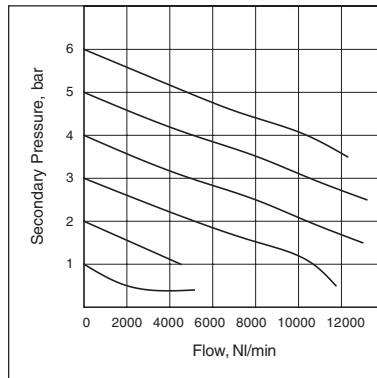
Model	W	V	A	B	E	F	GØ	J	L	T
FRCLM 1764	G3/4	G1/4	270	370	130	70	51	100	12	10
FRCLM 1765	G1	G1/4	270	370	130	70	51	100	12	10

Flow Graphs

3/4" FRCLM



1" FRCLM



Flow graphs are for 40µm filtrations only

How To Order

FRCLM 1

○
Body & Port size
7 6 4 -- G 3 / 4
7 6 5 -- G 1

○
Filteration µm
0 --- 1 µm
1 --- 5 µm
2 --- 25 µm
3 --- 40 µm (Standard)
4 --- 50 µm
5 --- 100 µm

○
Pressure Range
1 --- 0.2 - 2 bar
2 --- 0.2 - 4 bar
3 --- 0.5 - 7 bar
4 --- 0.5 - 10 bar (Standard)

Ordering example :- Filter Regulator Combination and Lubricator Modular - 3/4 size (with G3/4 port) with 5µm Filter and pressure range 0.5 - 7 bar : Ordering No : FRCLM 176413.
If ordered as 3/4 FRCLM, our standard model FRCLM 176434, with 40µm Filter and pressure range 0.5 - 10 bar will be supplied.

Precautions

- Note the direction of flow before installation and connect piping accordingly.
- Flush pipings for dirt, dust, rust and other foreign particles.
- Install in clean atmosphere.
- Nipples of taper threads (R) to be used with teflon tape. Ensure teflon tape doesnot enter the unit during tightening.
Nipples of straight threads (G) to be used with sealing washer.
- Polycarbonate bowls may get damaged and possibly fail if exposed to synthetic oils, thinner, solvents, trichloroethylene, kerosene or other aromatic hydrocarbons.

Subject to change