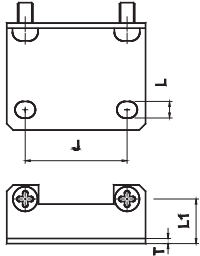


## AIR PREPARATION UNITS - ACCESSORIES

### Accessories - CLAMPS

Cat No APA - 02

#### CLAMP for FILTER, LUBRICATOR

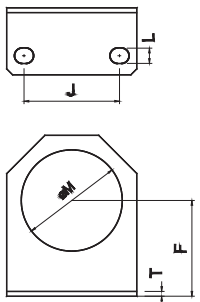


Adoptable to Model series	J	L	L1	T	Ordering No.
F17, L17	66	11	33	5	A2C34



**How to order** :- Mention the Model number required  
Example :- Clamp for 3/4 and 1" Filter, Series F17 : Ordering no : A2C34

#### CLAMP for REGULATOR



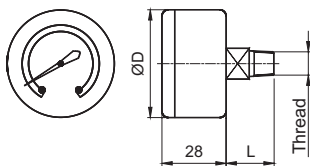
Adoptable to Model series	ØM	F	L	J	T	Ordering No.
R17, FRC17	52.5	70	11	66	5	A2C04



**How to order** :- Mention the Model number required  
Example :- Clamp for 3/4 and 1" Regulator, Series R17 : Ordering no : A2C04

### Accessories - PRESSURE GAUGE

#### PRESSURE GAUGE

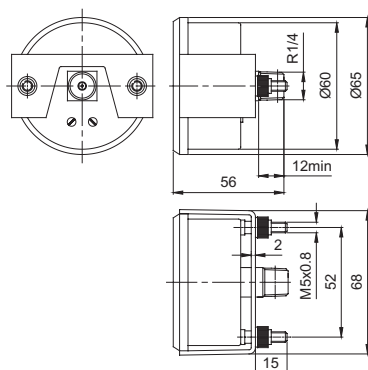


Thread	Pressure range bar	Adoptable to Model series	ØD	L	Ordering No.
R1/4	0 - 4	R17, FRC17	50	24	A2G07
	0 - 10				A2G08
	0 - 16				A2G09



**How to order** :- Mention the Model number required  
Example :- 1/4 Pressure Gauge for Regulator with Pressure range 0 - 16 bar : Ordering no : A2G09

#### PANEL MOUNTING PRESSURE GAUGE



Thread	Pressure range bar	Adoptable to Model series	Ordering No.
R1/4	0 - 10	R17, FRC17	A2GP08



**How to order** :- Mention the Model number required  
Example :- 1/4 Pressure Gauge for Regulator with Pressure range 0 - 16 bar : Ordering no : A2GP08

Subject to change