

AIR CYLINDER

Series A16, A17

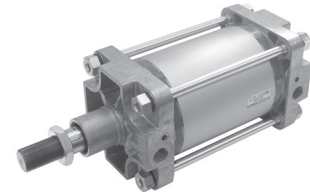
Cat No A16, A17 - 01 - 01

AIR CYLINDERS Double Acting (Ø125, 160, 200) mm

As per ISO 15552 / VDMA 24562 standards

Features

- Adjustable cushioning at both ends
- Wide varieties of mountings
- Low friction
- Long life



Technical Specifications

Cylinder bore Ø	(mm)	125	160	200
Cushion stroke	(mm)	40	40	40
Standard strokes *	(mm)	50 80 100 125 160 200 250 300 320 400 500		
Medium		Compressed air - filtered - lubricated		
Working pressure		0.5 - 10 bar		
Medium temperature		5° - 60° C		
Materials of construction		Aluminium, Brass, Nitrile, Steel, Acetal, Iron, polyurethane		
Mountings		Basic cylinder, Foot mounting, Front flange, Rear flange, Male clevis, Female clevis, Centre trunnion, Front trunnion, Rear trunnion		
Accessories		Clevis foot bracket, Wall mounting bracket, Trunnion bracket, Rod end fork, Rod end spherical eye		

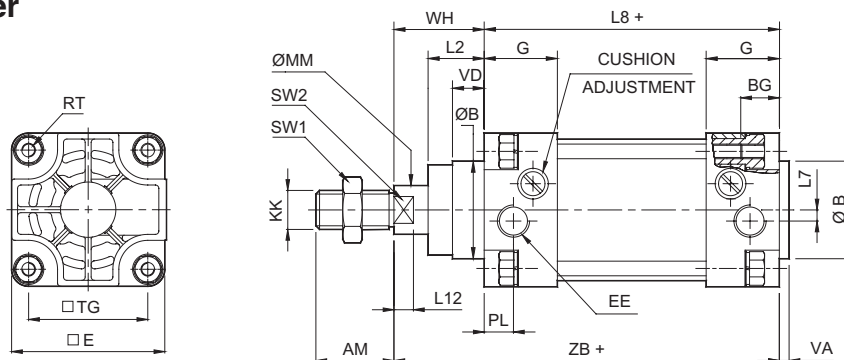
* For Non standard or longer stroke cylinders, contact your regional dealer or **JANATICS**

Output force (force in N : 1N = 0.1 kgf)

Cylinder bore (in mm)	Rod dia (in mm)		Working pressure in bar								
			2	3	4	5	6	7	8	9	10
Ø125	32	Extend	2209	3313	4417	5522	6626	7731	8835	9940	11044
		Retract	2064	3096	4128	5160	6192	7224	8256	9288	10320
Ø160	40	Extend	3619	5428	7238	9047	10857	12666	14476	16286	18095
		Retract	3392	5089	6785	8482	10178	11875	13571	15268	16964
Ø200	40	Extend	5654	8482	11309	14137	16964	19792	22619	25446	28274
		Retract	5428	8143	10857	13571	16286	19000	21714	24429	27143

(Above values have been worked out taking frictional loss into consideration)

Basic cylinder



Cylinder bore Ø	KK	AM	MM	SW2	L12	SW1	B e11	VD	VA	L2	E max	G	TG	RT	BG min	EE	PL	L7	WH ±2.2	ZB	L8	Stroke tol
125	M27 x 2	54	32	27	13	41	60	6	6	50.5	142	44	110	M12	20	G1/2	20	12	65	225 ± 1.2	160 ± 1.0	+4 0
160	M36 x 2	72	40	36	16	55	65	8	6	60	182	51	140	M16	24	G3/4	26	15	80	260 ± 1.5	180 ± 1.1	
200	M36 x 2	72	40	36	16	55	75	8	6	70	222	46	175	M16	24	G3/4	25	15	95	275 ± 1.5	180 ± 1.6	

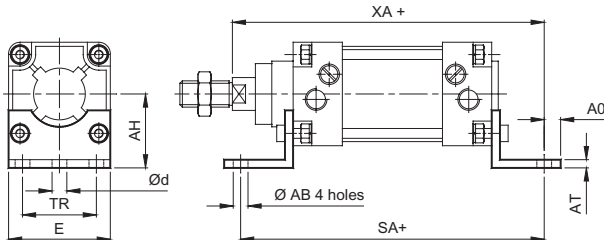
AIR CYLINDER

Series A16, A17

Cat No A16, A17 - 01 - 01

MOUNTINGS FOR AIR CYLINDER Series A16, A17

Foot mounting

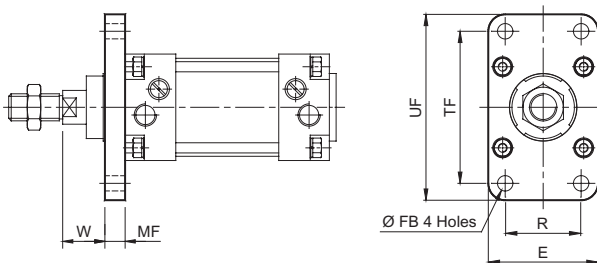


+ Add stroke

Cylinder bore Ø	TR ±0.3	AB H14	AH Js16	AO max	AT	E	SA ± 2	d* ± 2	XA ± 2
125	90	16.5	90	17	8	140	250	11.8	270
160	115	18.5	115	17	10	180	300	11.8	320
200	135	24	135	30	12	220	320	11.8	345

* Suitable for reaming

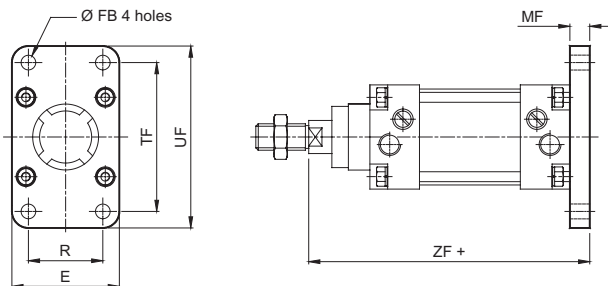
Front flange



+ Add stroke

Cylinder bore Ø	TF ± 0.3	R ± 0.3	FB H13	MF	UF	E	W ± 2.5
125	180	90	16	20	211	141	45
160	230	115	18	20	276	181	60
200	270	135	22	25	320	221	70

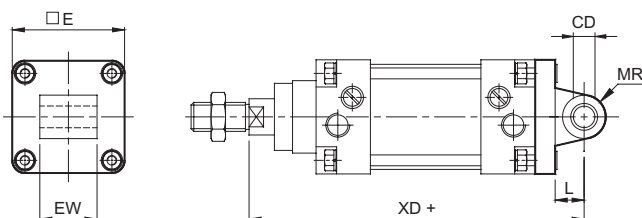
Rear flange



+ Add stroke

Cylinder bore Ø	TF ± 0.3	R ± 0.3	FB H13	MF	UF	E	ZF ± 2
125	180	90	16	20	211	141	245
160	230	115	18	20	276	181	280
200	270	135	22	25	320	221	300

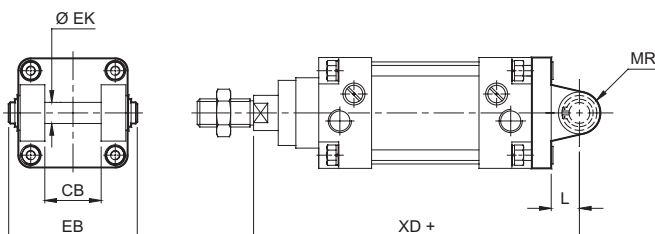
Male clevis



+ Add stroke

Cylinder bore Ø	CD H9	EW	tol	L min	MR max	E max	XD ± 2
125	25	70	- 0.5 - 1.2	30	26	140	275
160	30	90		35	31	180	315
200	30	90		35	31	220	335

Female clevis



+ Add stroke

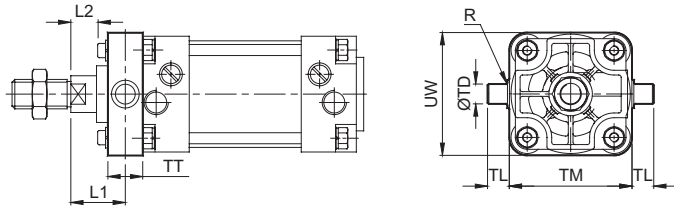
Cylinder bore Ø	EK e8	L min	MR max	EB max	CB H14	XD ± 2
125	25	30	26	148	70	275
160	30	35	31	191	90	315
200	30	35	31	191	90	335

AIR CYLINDER

Series A16, A17

Cat No A16, A17 - 01 - 01

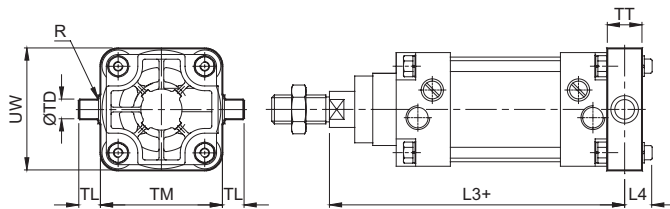
Front trunnion



+ Add stroke

Cylinder bore Ø	TD e9	TL h14	TM h14	UW	TT	R	L1 ± 2.5	L2 Approx.
125	25	25	160	155	44	2	43	6.5
160	32	32	200	195	49	2.5	55.5	11.5
200	32	32	250	248	49	2.5	70.5	26.5

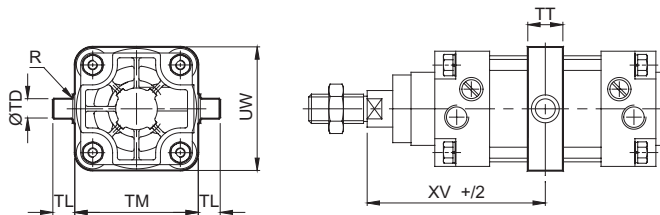
Rear trunnion



+ Add stroke

Cylinder bore Ø	TD e9	TL h14	TM h14	UW	TT	R	L3 ± 1.8	L4
125	25	25	160	155	44	2	247	36.5
160	32	32	200	195	49	2.5	284.5	44
200	32	32	250	248	49	2.5	299.5	44

Centre trunnion



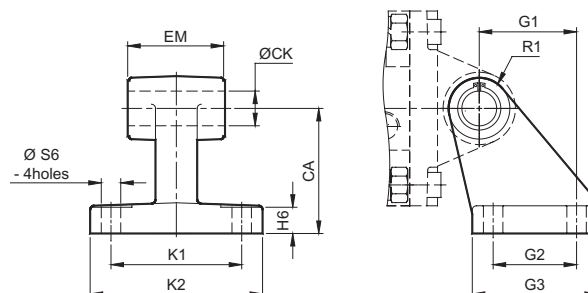
+ Add stroke

Cylinder bore Ø	TD e9	TL h14	TM h14	UW	TT	R	XV ± 2.5
125	25	25	160	155	44	2	145
160	32	32	200	195	49	2.5	170
200	32	32	250	248	49	2.5	185

Note : Cylinder with centre trunnion is factory fitted, please contact JANATICS - H.O

ACCESSORIES FOR AIR CYLINDER Series A16, A17

Clevis foot bracket



Cylinder bore Ø	K1 Js14	G2 Js14	S6 H13	CA Js15	CK H9	EM	tol	G1 Js14	tol	H6	R1 max.	K2	G3	Ordering no. @
125	94	60	14	90	25	70	- 0.5 - 1.5	70	±0.2	20	23.5	124	90	AA0125
160	118	88	14	115	30	90		97		25	31.5	156	126	AA0160
200	122	90	18	135	30	90		105	±0.3	30	31.5	162	130	AA0200

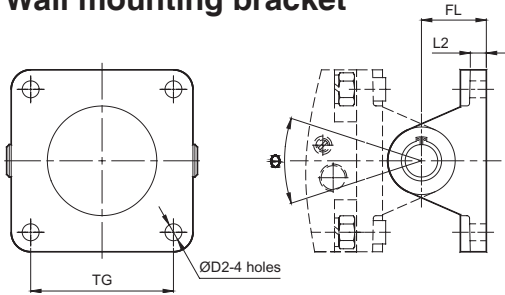
@ Adoptable to cylinder with female clevis

AIR CYLINDER

Series A16, A17

Cat No A16, A17 - 01 - 01

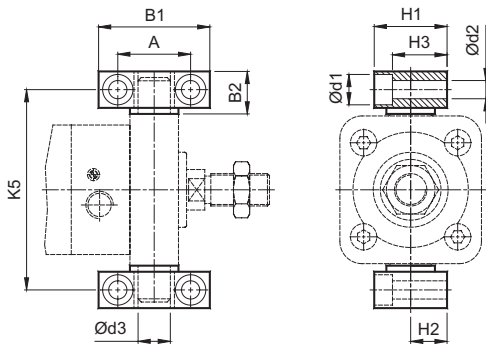
Wall mounting bracket



Cylinder bore Ø	TG	D2	L2	FL ± 0.2	θ°	Ordering no. @	Ordering no. #
125	110	13	10	50	80	AV0125	AW0125
160	140	17	10	55	80	AV0160	AW0160
200	175	17	11	60	90	AV0200	AW0200

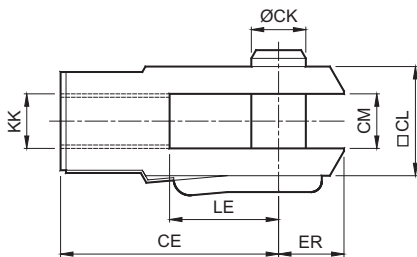
@ Adaptable to cylinder with male clevis
Adaptable to cylinder with female clevis

Trunnion bracket



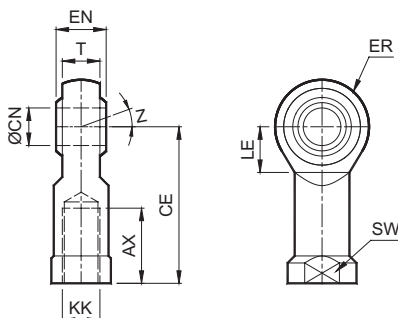
Cylinder bore Ø	B1	B2	A	d1	d2 H13	d3 H9	H1	H2	H3	K5	Ordering no.
125	75	28.5	50 ±0.2	20	14	25	50	25 ±0.1	37	192	AT100
160 & 200	92	40	60 ±0.3	25	18	32	60	30 ±0.2	43	295	AT0160

Rod end Fork (ISO 8140)



Cylinder bore Ø	KK	CE	CK f 8	CM B 12	LE	ER max.	CL	Ordering no.
125	M27 x 2	110	30	30	55	45	55	AF030
160 & 200	M36 x 2	144	35	35	72	53	70	AF035

Rod end spherical eye (ISO 8139)



Cylinder bore Ø	KK	CN H9	T	EN h12	CE	LE min	ER max	AX	SW	Z	Ordering no.
125	M27 x 2	30	25	37	110	36	35	51	41	15°	AP027
160 & 200	M36 x 2	35	28	43	125	41	40	56	50		AP036

AIR CYLINDER

Series A16, A17

Cat No A16, A17 - 01 - 01

How to order

A

Model		Cylinder bore (mm)		Stroke (mm)		Mountings	
16	Standard cylinder	125	- Ø 125	050	- 50	O	- Basic
17	Magnetic cylinder	160	- Ø 160	080	- 80	L	- Foot Mounting
		200	- Ø 200	100	- 100	F	- Front Flange
				125	- 125	R	- Rear Flange
				160	- 160	S	- Male Clevis
				200	- 200	D	- Female Clevis
				250	- 250	N	- Front Trunnion
				300	- 300	M	- Rear Trunnion
				320	- 320	T	- Center Trunnion
				400	- 400		
				500	- 500		

(For details of accessories for magnetic cylinders refer [Cat No A18, A19 - 01 - 01](#))

Example :

Ordering no. for cylinder with 160 dia bore, 100 mm stroke with female clevis mounting : **A16 160 100 D**






Note :

If ordered as 160 dia, 100 mm stroke cylinder, Basic cylinder **A16 160 100 O** will be supplied.

For repeat order when the details are taken from cylinder nameplate, mention the mounting style separately.

For ordering **Accessories** refer corresponding tables for ordering numbers.

For ordering individual **Mounting kits** (If needed separately) the order numbers are as below

Cylinder bore Ø	Foot mounting	Front / Rear flange	Male clevis	Female clevis	Front / Rear trunnion
					
125	ML0125	MF0125	MS0125	MD0125	MT0125
160	ML0160	MF0160	MS0160	MD0160	MT0160
200	ML0200	MF0200	MS0200	MD0200	MT0200

For your special requirements of cylinders or for further informations contact your regional dealer or **JANATICS**