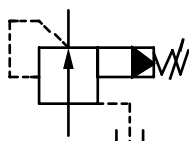
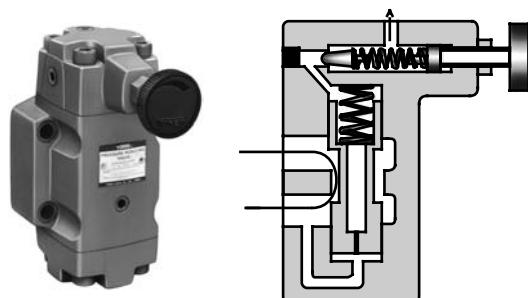
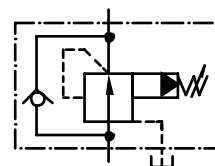
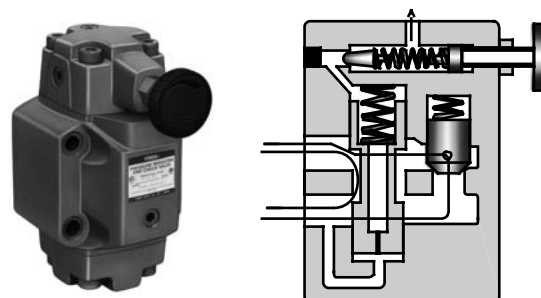


YUKEN**PRESSURE REDUCING (AND CHECK) VALVES****RT/RG
RCT/RCG -03/06/10 (3/8, 3/4, 1-1/4)****Threaded Connections / Sub-plate Mounting****PRESSURE
CONTROLS****Up to 21 MPa (3050 PSI), 500 L/min (132 U.S.GPM)****■ Pressure Reducing Valves**

Pressure reducing valves are used to set the pressure of a hydraulic circuit below that of the main circuit. In addition, operation under remote control is possible by using the remote control port.

**■ Pressure Reducing and Check Valves**

Pressure reducing and check valves are used to set the pressure of a hydraulic circuit below that of the main circuit. They have check valves, which allow a free flow from the secondary side to the primary. Operation under remote control is also possible by using the remote control port.

**■ Hydraulic Fluids****● Fluid Types**

Any type of hydraulic fluid listed in the table below can be used.

| | |
|-------------------------|--|
| Petroleum base oils | Use fluids equivalent to ISO VG 32 or VG 46. |
| Synthetic fluids | Use phosphate ester or polyol ester fluid. When phosphate ester fluid is used, prefix "F-" to the model number because the special seals (fluororubber) are required to be used. |
| Water containing fluids | Use water-glycol fluid. |

Note: For use with hydraulic fluids other than those listed above, please consult your Yuken representatives in advance.

● Recommended Viscosity and Oil Temperatures

Viscosity ranging between 15 - 400 mm²/s (77 - 1800 SSU).

Oil temperatures between -15/+70°C (5 - 158°F).

Use hydraulic fluids which satisfy the recommended viscosity and oil temperatures given above.

● Control of Contamination

Due caution must be paid to maintaining control over contamination of the hydraulic fluids which may otherwise lead to breakdowns and shorten the life of the valves. Please maintain the degree of contamination within NAS 1638-Grade 12. Use 25 μm or finer line filter.

■ Specifications

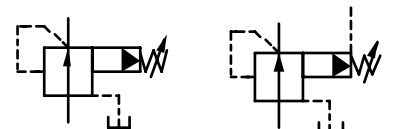
| Valve Name | Model Numbers | | Max. Operating Pressure MPa (PSI) | Max. Flow *1 | | Drain Flow *2 L/m in (U.S.GPM) | Approx. Mass kg (lbs.) | |
|-----------------------------------|---------------------|--------------------|--------------------------------------|-------------------------------|----------------------------------|--------------------------------------|---------------------------|--------------------|
| | Threaded Connection | Sub-plate Mounting | | Setting Pressure MPa (PSI) | Max. Flow L/m in (U.S.GPM) | | Threaded Connection | Sub-plate Mounting |
| Pressure Reducing Valve | RT-03-* -22* | RG-03-* -22* | 21 (3050) | 0.7 - 1.0 (102 - 145) | 40 (10.6) | 0.8 - 1.0 (.21 - .26) | 4.3 (9.5) | 4.5 (9.9) |
| | | | | 1.0 - 20.5 (145 - 2970) | 50 (13.2) | | | |
| | | | | 0.7 - 1.0 (102 - 145) | 50 (13.2) | | | |
| | RT-06-* -22* | RG-06-* -22* | 21 (3050) | 1.0 - 1.5 (145 - 220) | 100 (26.4) | 0.8 - 1.1 (.21 - .29) | 6.9 (15.2) | 6.8 (15.0) |
| | | | | 1.5 - 20.5 (220 - 2970) | 125 (33.0) | | | |
| | | | | 0.7 - 1.0 (102 - 145) | 130 (34.3) | | | |
| | RT-10-* -22* | RG-10-* -22* | 21 (3050) | 1.0 - 1.5 (145 - 220) | 180 (47.5) | 1.2 - 1.5 (.31 - .40) | 12.0 (26.5) | 11.0 (24.3) |
| | | | | 1.5 - 10.5 (220 - 1520) | 220 (58.1) | | | |
| | | | | 10.5 - 20.5 (1520 - 2970) | 250 (66.0) | | | |
| Pressure Reducing and Check Valve | RCT-03-* -22* | RCG-03-* -22* | 21 (3050) | 0.7 - 1.0 (102 - 145) | 40 (10.6) | 0.8 - 1.0 (.21 - .26) | 4.8 (10.6) | 5.4 (11.9) |
| | | | | 1.0 - 20.5 (145 - 2970) | 50 (13.2) | | | |
| | | | | 0.7 - 1.0 (102 - 145) | 50 (13.2) | | | |
| | RCT-06-* -22* | RCG-06-* -22* | 21 (3050) | 1.0 - 1.5 (145 - 220) | 100 (26.4) | 0.8 - 1.1 (.21 - .29) | 7.8 (17.2) | 8.1 (17.9) |
| | | | | 1.5 - 20.5 (220 - 2970) | 125 (33.0) | | | |
| | | | | 0.7 - 1.0 (102 - 145) | 130 (34.3) | | | |
| | RCT-10-* -22* | RCG-10-* -22* | 21 (3050) | 1.0 - 1.5 (145 - 220) | 180 (47.5) | 1.2 - 1.5 (.31 - .40) | 13.8 (30.4) | 13.8 (30.4) |
| | | | | 1.5 - 10.5 (220 - 1520) | 220 (58.1) | | | |
| | | | | 10.5 - 20.5 (1520 - 2970) | 250 (66.0) | | | |

★ 1. The max. flow rates are those shown at the primary pressure at 21 MPa (3050 PSI).

★ 2. The drain flow rates are equal to pilot flow rates when differential pressure between primary and secondary pressure is at 20.5 MPa (2970 PSI).

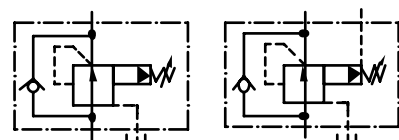
Graphic Symbols

● RT / RG



Remote control connection

● RCT / RCG



Remote control connection

Yuken can offer flanged connection valves described below.

For details, contact us.

| Model Numbers | Max. Operating Pressure MPa (PSI) | Max. Flow L/m in (U.S.GPM) |
|------------------|--------------------------------------|----------------------------------|
| RF/RCF-10-* -22* | 21 | 250 (66) |
| RF/RCF-16-* -20* | (3050) | 500 (132) |

■ Model Number Designation

| F- | R | T | -03 | -B | -22 | * | |
|---|---|---------------------------|------------|-------------------------------|--------------------------|---|----|
| Special Seals | Series Number | Type of Mounting | Valve Size | Pres. Adj. Range MPa (PSI) | Design Number | Design Standards | |
| F: Special Seals for Phosphate Ester Type Fluids (Omit if not required) | R: Pressure Reducing Valves | T: Threaded Connection | 03 | B: 0.7-7 (102-1020) | 22 | None: Japanese Std. "JIS" 80: European Design Std. 90: N.American Design Std. | |
| | | | 06 | | 22 | | |
| | | | 10 | | 22 | | |
| | | G: Sub-plate Mounting | 03 | | 22 | | |
| | | | 06 | | 22 | | |
| | | | 10 | | 22 | | |
| | RC: Pressure Reducing and Check Valves | T: Threaded Connection | 03 | C: 3.5-14 (510-2030) | 22 | None: Japanese Std. "JIS" 80: European Design Std. 90: N.American Design Std. | |
| | | | 06 | | 22 | | |
| | | | 10 | | 22 | | |
| | | G: Sub-plate Mounting | 03 | | H: 7-20.5 (1020-2970) | | 22 |
| | | | 06 | | | | 22 |
| | | | 10 | | | | 22 |



■ Attachment

● Mounting bolts

| Valve Model Numbers | Socket Head Cap Screw | | Qty. |
|---------------------|--|-------------------------|------|
| | Japanese Std. "JIS" and European Design Std. | N. American Design Std. | |
| RG-03 | M10 × 50 Lg. | 3/8-16 UNC × 2 Lg. | 4 |
| RG-06 | M10 × 50 Lg. | 3/8-16 UNC × 2 Lg. | 4 |
| RG-10 | M10 × 50 Lg. | 3/8-16 UNC × 2 Lg. | 6 |
| RCG-03 | M10 × 70 Lg. | 3/8-16 UNC × 2-3/4 Lg. | 4 |
| RCG-06 | M10 × 80 Lg. | 3/8-16 UNC × 3-1/4 Lg. | 4 |
| RCG-10 | M10 × 90 Lg. | 3/8-16 UNC × 3-1/2 Lg. | 6 |

■ Sub-plate

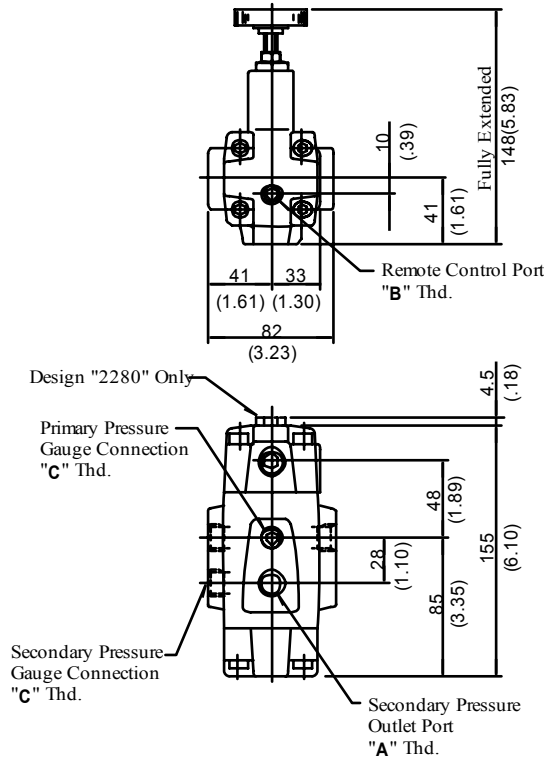
| Valve Model Numbers | Japanese Standard "JIS" | | European Design Standard | | N. American Design Standard | | Approx. Mass kg (lbs.) |
|---------------------|-------------------------|-------------|--------------------------|-------------|-----------------------------|-------------|---------------------------|
| | Sub-plate Model Numbers | Thread Size | Sub-plate Model Numbers | Thread Size | Sub-plate Model Numbers | Thread Size | |
| RG RCG-03 | HGM-03-20 | Rc 3/8 | HGM-03-2080 | 3/8 BSP.F | HGM-03-2090 | 3/8 NPT | 1.6 (3.5) |
| | HGM-03X-20 | Rc 1/2 | HGM-03X-2080 | 1/2 BSP.F | HGM-03X-2090 | 1/2 NPT | |
| RG RCG-06 | HGM-06-20 | Rc 3/4 | HGM-06-2080 | 3/4 BSP.F | HGM-06-2090 | 3/4 NPT | 2.4 (5.3) |
| | HGM-06X-20 | Rc 1 | HGM-06X-2080 | 1 BSP.F | HGM-06X-2090 | 1 NPT | 3.0 (6.6) |
| RG RCG-10 | HGM-10-20 | Rc 1-1/4 | HGM-10-2080 | 1-1/4 BSP.F | HGM-10-2090 | 1-1/4 NPT | 4.8 (10.6) |
| | HGM-10X-20 | Rc 1-1/2 | HGM-10X-2080 | 1-1/2 BSP.F | HGM-10X-2090 | 1-1/2 NPT | 5.7 (12.6) |

- Sub-plates are available. Specify the sub-plate model number from the table above. When sub-plates are not used, the mounting surface should have a good machined finish.

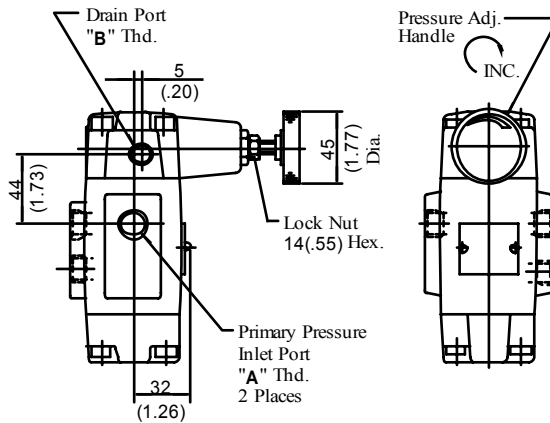
■ Instructions

- To adjust the pressure, loosen the lock nut and turn the pressure adjustment handle slowly clockwise for higher pressures and anti-clockwise for lower pressures. After adjustments, do not forget to tighten the lock nut.
- Connect the drain port directly to the tank in which case the pressure at the drain port should be kept at a low back pressure close to the atmospheric pressure.
- There are two threaded connection type primary pressure ports. They can be connected each other in-line; one as an inlet and the other as an outlet or the valve can be used by plugging one of the pressure ports.

RT-03-* -22/2280/2290

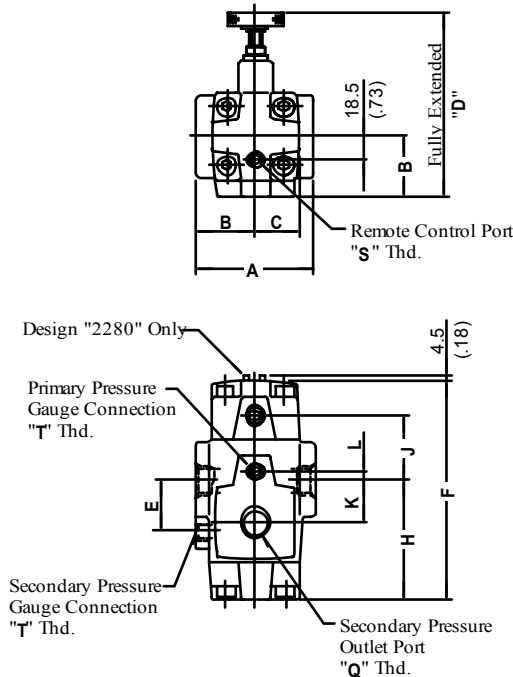


| Model Numbers | Thread Size | | |
|---------------|-------------|-----------|------------|
| | "A" Thd. | "B" Thd. | "C" Thd. |
| RT-03-* -22 | Rc 3/8 | Rc 1/4 | Rc 1/4 |
| RT-03-* -2280 | 3/8 BSP.F | 1/4 BSP.F | 1/4 BSP.Tr |
| RT-03-* -2290 | 3/8 NPT | 1/4 NPT | 1/4 NPT |

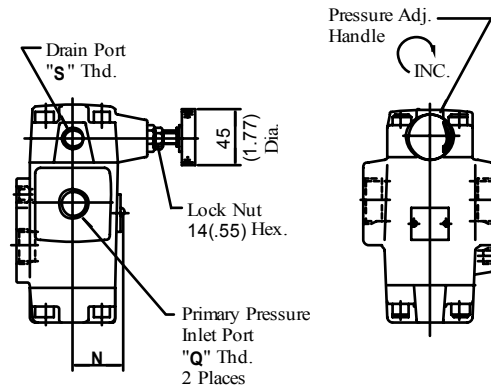


DIMENSIONS IN
MILLIMETRES (INCHES)

RT-06-10-* -22/2280/2290

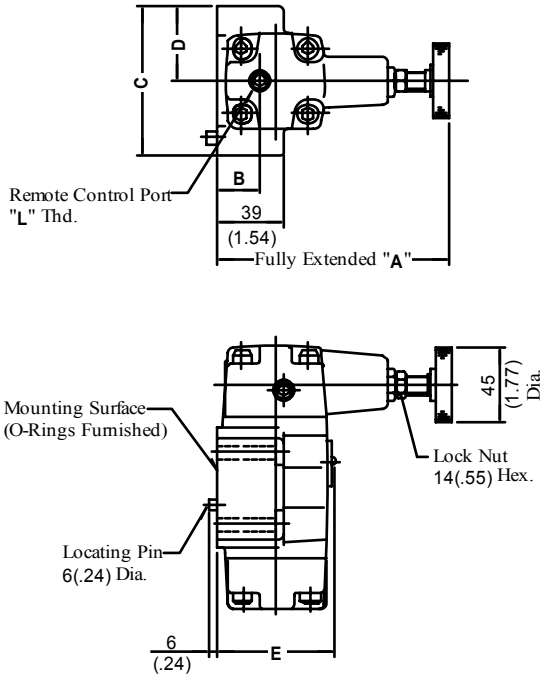


| Model Numbers | Thread Size | | |
|---------------|-------------|-----------|------------|
| | "Q" Thd. | "S" Thd. | "T" Thd. |
| RT-06-* -22 | Rc 3/4 | Rc 1/4 | Rc 1/4 |
| RT-06-* -2280 | 3/4 BSP.F | 1/4 BSP.F | 1/4 BSP.Tr |
| RT-06-* -2290 | 3/4 NPT | 1/4 NPT | 1/4 NPT |
| RT-10-* -22 | Rc 1-1/4 | Rc 1/4 | Rc 1/4 |
| RT-10-* -2280 | 1-1/4 BSP.F | 1/4 BSP.F | 1/4 BSP.Tr |
| RT-10-* -2290 | 1-1/4 NPT | 1/4 NPT | 1/4 NPT |



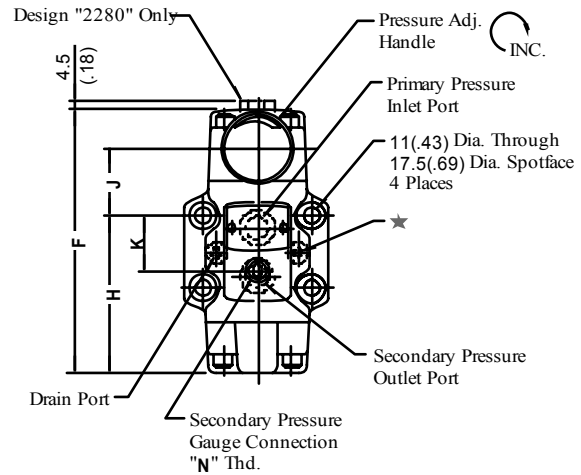
| Model Numbers | Dimensions mm (Inches) | | | | | | | | | | |
|---------------|------------------------|--------------|----------------|---------------|--------------|---------------|----------------|----------------|--------------|-------------|--------------|
| | A | B | C | D | E | F | H | J | K | L | N |
| RT-06 | 96 (3.78) | 48 (1.89) | 36.5 (1.44) | 149 (5.87) | 42 (1.65) | 179 (7.05) | 97.5 (3.84) | 53.5 (2.11) | 33 (1.30) | 9 (.35) | 39 (1.54) |
| RT-10 | 132 (5.20) | 66 (2.60) | 43 (1.69) | 167 (6.57) | 52 (2.05) | 216 (8.50) | 124 (4.88) | 64 (2.52) | 40 (1.57) | 12 (.47) | 46 (1.81) |

RG-03/06-*-22/2280/2290



| Model Numbers | Thread Size | |
|-----------------|-------------|------------|
| | "L" Thd. | "N" Thd. |
| RG-03/06-*-22 | Rc 1/4 | Rc 1/4 |
| RG-03/06-*-2280 | 1/4 BSP.F | 1/4 BSP.Tr |
| RG-03/06-*-2290 | 1/4 NPT | 1/4 NPT |

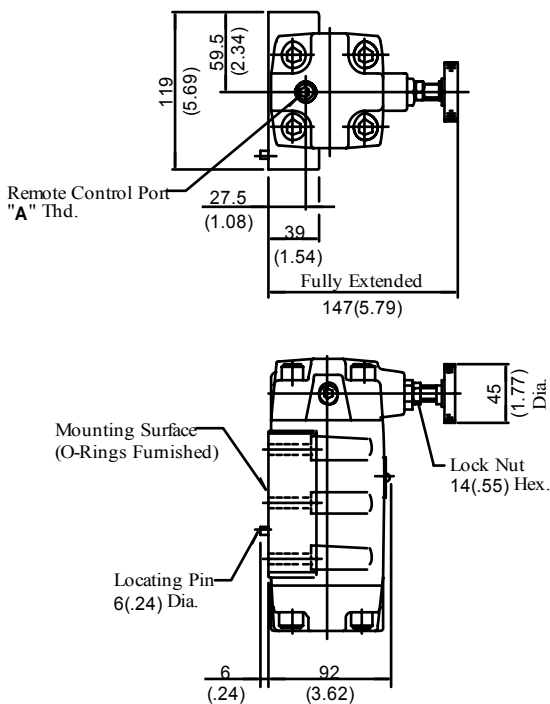
★ Port connection is not required for RG models but an O-ring should be furnished.



| Model Numbers | Dimensions mm (Inches) | | | | | | | | |
|---------------|------------------------|------------|------------|-------------|-----------|--------------|-------------|-------------|-------------|
| | A | B | C | D | E | F | G | H | J |
| RG-03 | 142 (5.59) | 25 (.98) | 89 (3.50) | 44.5 (1.75) | 67 (2.64) | 155.5 (6.12) | 92.4 (3.64) | 40.6 (1.60) | 34.9 (1.37) |
| RG-06 | 141 (5.55) | 21.5 (.85) | 102 (4.02) | 51 (2.01) | 79 (3.11) | 179 (7.05) | 111 (4.37) | 40 (1.57) | 48 (1.89) |

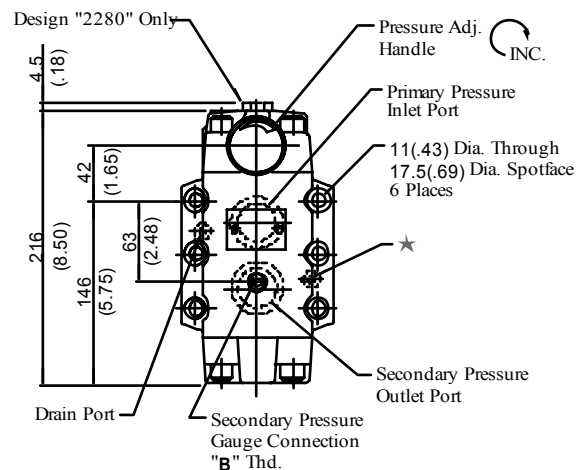
DIMENSIONS IN
MILLIMETRES (INCHES)

RG-10-*-22/2280/2290

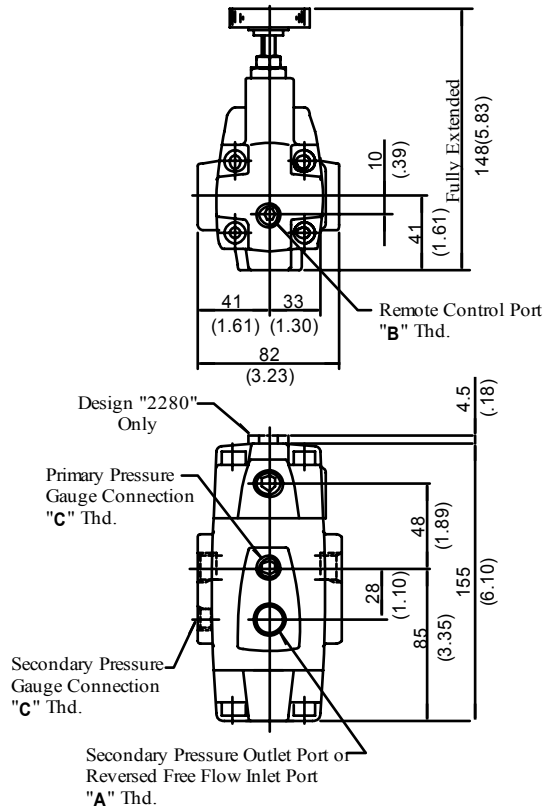


| Model Numbers | Thread Size | |
|---------------|-------------|------------|
| | "A" Thd. | "B" Thd. |
| RG-10-*-22 | Rc 1/4 | Rc 1/4 |
| RG-10-*-2280 | 1/4 BSP.F | 1/4 BSP.Tr |
| RG-10-*-2290 | 1/4 NPT | 1/4 NPT |

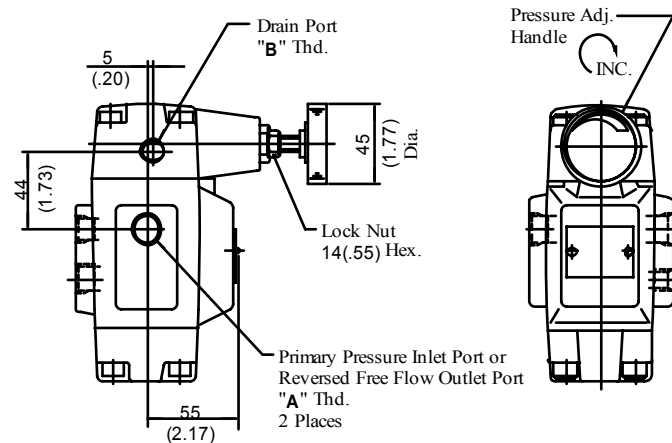
★ Port connection is not required for RG models but an O-ring should be furnished.



RCT-03-* -22/2280/2290

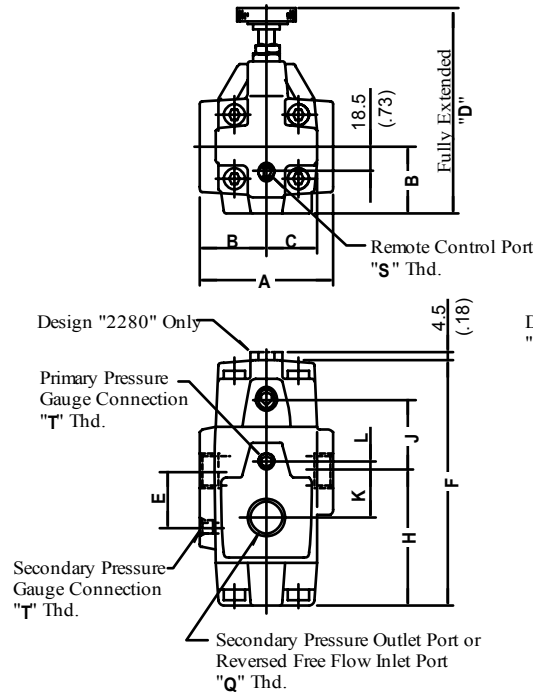


| Model Numbers | Thread Size | | |
|----------------|-------------|-----------|------------|
| | "A" Thd. | "B" Thd. | "C" Thd. |
| RCT-03-* -22 | Rc 3/8 | Rc 1/4 | Rc 1/4 |
| RCT-03-* -2280 | 3/8 BSP.F | 1/4 BSP.F | 1/4 BSP.Tr |
| RCT-03-* -2290 | 3/8 NPT | 1/4 NPT | 1/4 NPT |

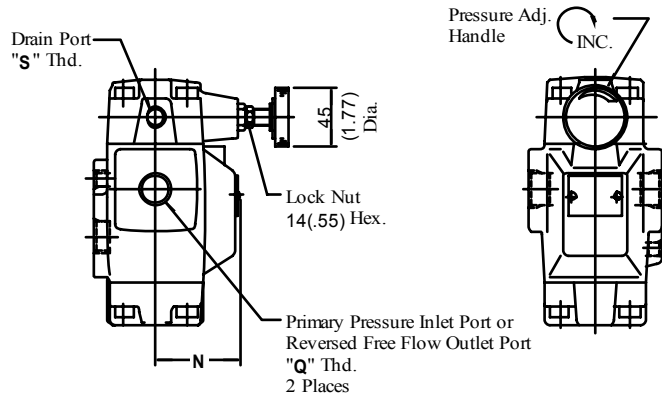


DIMENSIONS IN
MILLIMETRES (INCHES)

RCT-06-10-* -22/2280/2290

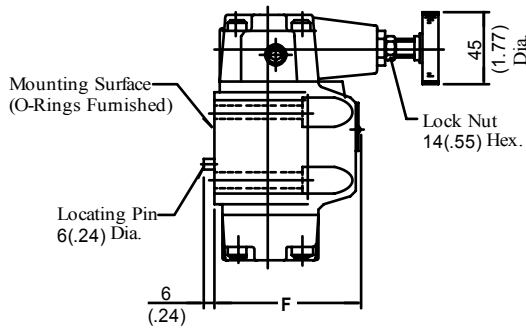
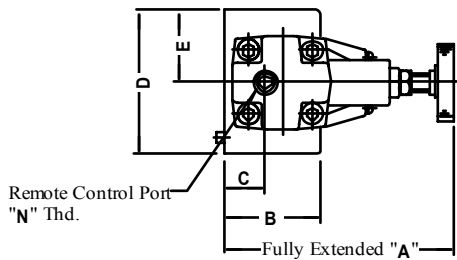


| Model Numbers | Thread Size | | |
|----------------|-------------|-----------|------------|
| | "Q" Thd. | "S" Thd. | "T" Thd. |
| RCT-06-* -22 | Rc 3/4 | Rc 1/4 | Rc 1/4 |
| RCT-06-* -2280 | 3/4 BSP.F | 1/4 BSP.F | 1/4 BSP.Tr |
| RCT-06-* -2290 | 3/4 NPT | 1/4 NPT | 1/4 NPT |
| RCT-10-* -22 | Rc 1-1/4 | Rc 1/4 | Rc 1/4 |
| RCT-10-* -2280 | 1-1/4 BSP.F | 1/4 BSP.F | 1/4 BSP.Tr |
| RCT-10-* -2290 | 1-1/4 NPT | 1/4 NPT | 1/4 NPT |



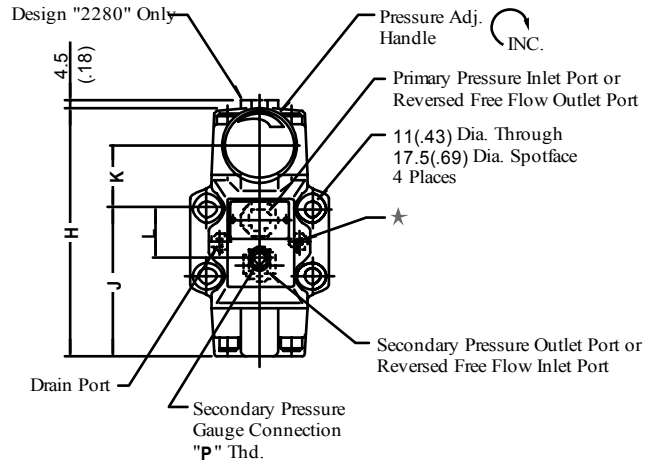
| Model Numbers | Dimensions mm (Inches) | | | | | | | | | | |
|---------------|------------------------|--------------|----------------|---------------|--------------|---------------|----------------|----------------|--------------|-------------|--------------|
| | A | B | C | D | E | F | H | J | K | L | N |
| RCT-06 | 96 (3.78) | 48 (1.89) | 36.5 (1.44) | 149 (5.87) | 42 (1.65) | 179 (7.05) | 97.5 (3.84) | 53.5 (2.11) | 33 (1.30) | 9 (.35) | 68 (2.68) |
| RCT-10 | 132 (5.20) | 66 (2.60) | 43 (1.69) | 167 (6.57) | 52 (2.05) | 216 (8.50) | 124 (4.88) | 64 (2.52) | 40 (1.57) | 12 (.47) | 86 (3.39) |

RCG-03/06-⁰³/₀₆-*-22/2280/2290



| Model Numbers | Thread Size | |
|--|-------------|------------|
| | "N" Thd. | "P" Thd. |
| RCG-03/06- ⁰³ / ₀₆ -*-22 | Rc 1/4 | Rc 1/4 |
| RCG-03/06- ⁰³ / ₀₆ -*-2280 | 1/4 BSP.F | 1/4 BSP.Tr |
| RCG-03/06- ⁰³ / ₀₆ -*-2290 | 1/4 NPT | 1/4 NPT |

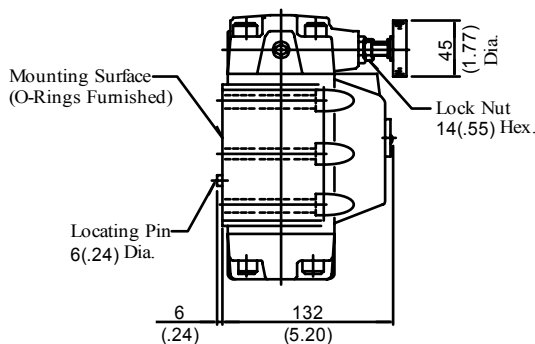
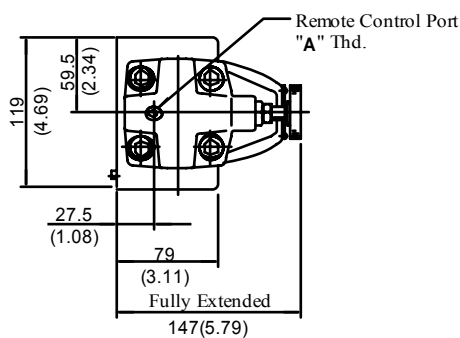
★ Port connection is not required for RCG models but an O-ring should be furnished.



| Model Numbers | Dimensions mm (Inches) | | | | | | | | | |
|---------------|------------------------|-----------|------------|------------|-------------|------------|------------|-------------|-------------|-------------|
| | A | B | C | D | E | F | H | J | K | L |
| RCG-03 | 142 (5.59) | 59 (2.32) | 25 (.98) | 89 (3.50) | 44.5 (1.75) | 90 (3.54) | 155 (6.10) | 92.4 (3.64) | 40.6 (1.60) | 34.9 (1.37) |
| RCG-06 | 141 (5.55) | 69 (2.72) | 21.5 (.85) | 102 (4.02) | 51 (2.01) | 108 (4.25) | 179 (7.05) | 111 (4.37) | 40 (1.57) | 48 (1.89) |

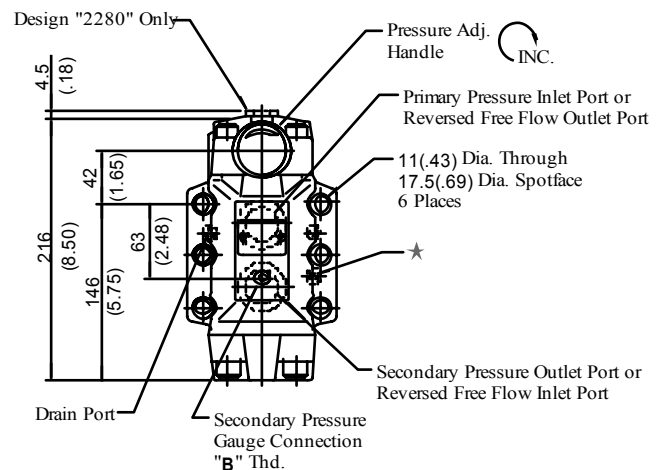
DIMENSIONS IN
MILLIMETRES (INCHES)

RCG-10-⁰³/₀₆-*-22/2280/2290



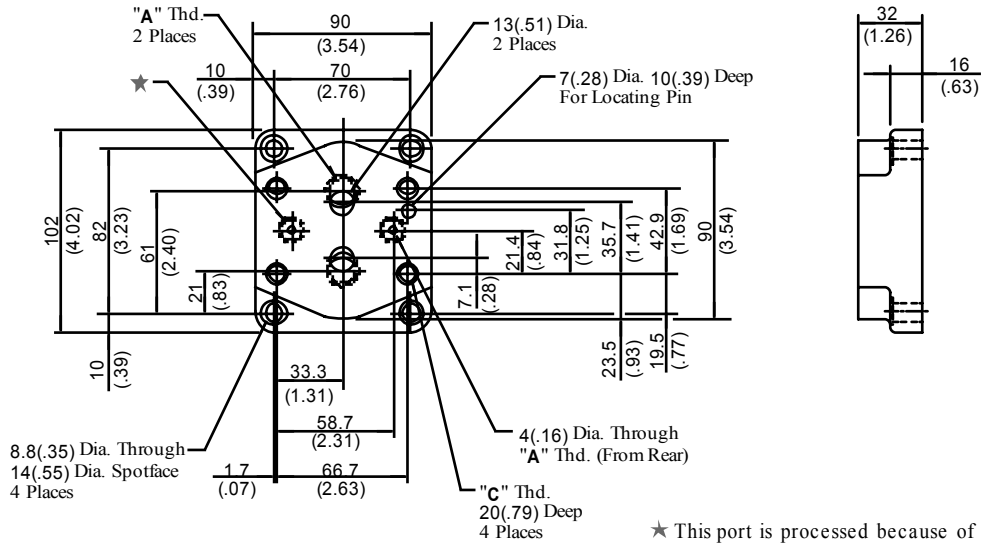
| Model Numbers | Thread Size | |
|---|-------------|------------|
| | "A" Thd. | "B" Thd. |
| RCG-10- ⁰³ / ₀₆ -*-22 | Rc 1/4 | Rc 1/4 |
| RCG-10- ⁰³ / ₀₆ -*-2280 | 1/4 BSP.F | 1/4 BSP.Tr |
| RCG-10- ⁰³ / ₀₆ -*-2290 | 1/4 NPT | 1/4 NPT |

★ Port connection is not required for RCG models but an O-ring should be furnished.



- HGM-03-20/2080/2090
HGM-03X-20/2080/2090

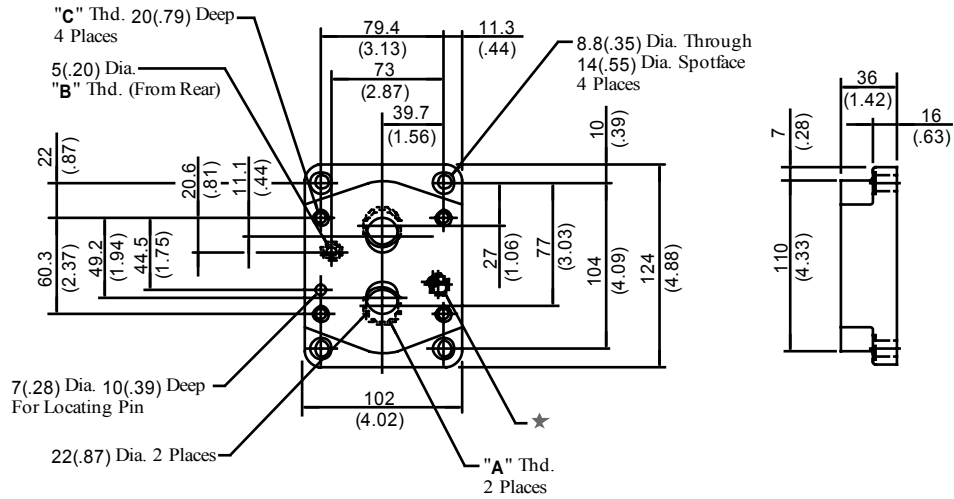
DIMENSIONS IN
MILLIMETRES (INCHES)



| Sub-plate Model Numbers | Thread Size | | |
|-------------------------|-------------|-----------|------------|
| | "A" Thd. | "B" Thd. | "C" Thd. |
| HGM-03-20 | Rc 3/8 | Rc 1/4 | M10 |
| HGM-03X-20 | Rc 1/2 | | |
| HGM-03-2080 | 3/8 BSP.F | 1/4 BSP.F | |
| HGM-03X-2080 | 1/2 BSP.F | | |
| HGM-03-2090 | 3/8 NPT | 1/4 NPT | 3/8-16 UNC |
| HGM-03X-2090 | 1/2 NPT | | |

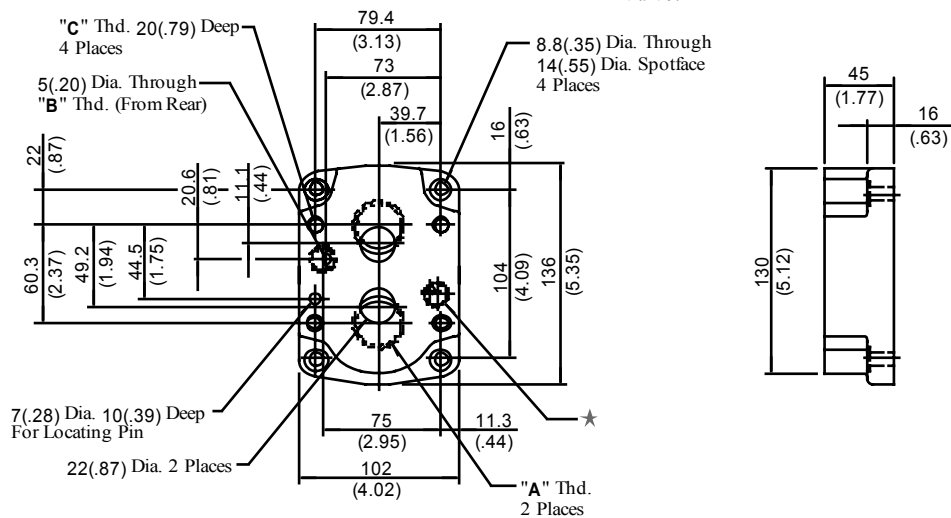
● HGM-06-20/2080/2090

DIMENSIONS IN MILLIMETRES (INCHES)



● HGM-06X-20/2080/2090

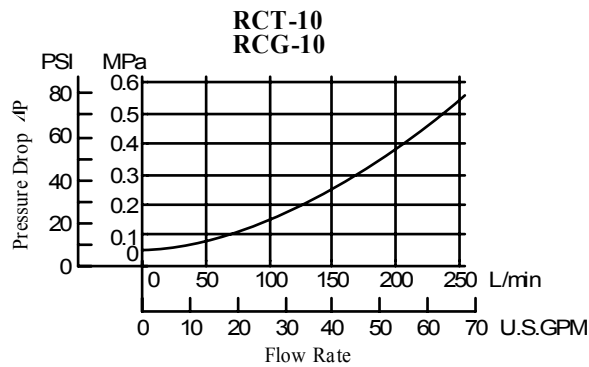
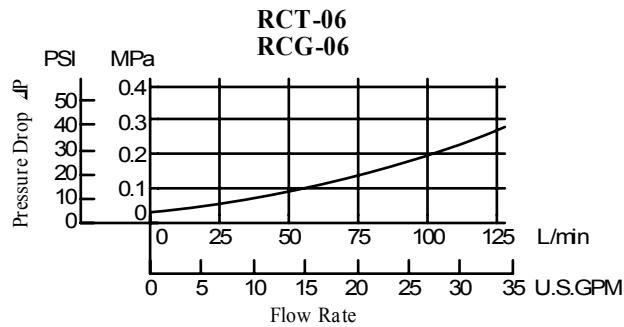
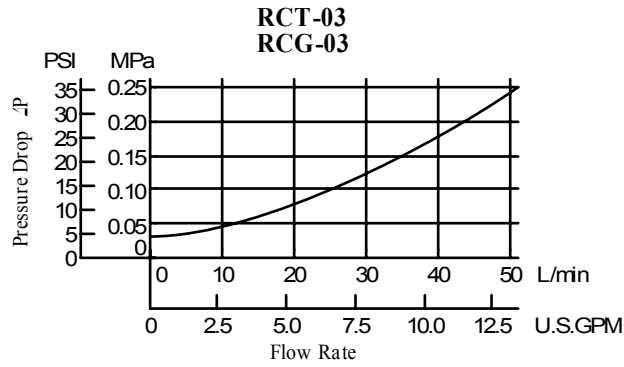
★ This port is processed because of sharing this sub-plate with the H/HCType Pressure Control Valve and not used for the Pressure Reducing (and Check) Valve.



| Sub-plate Model Numbers | Thread Size | | |
|-------------------------|-------------|-----------|------------|
| | "A" Thd. | "B" Thd. | "C" Thd. |
| HGM-06-20 | Rc 3/4 | Rc 1/4 | M10 |
| HGM-06X-20 | Rc 1 | | |
| HGM-06-2080 | 3/4 BSP.F | 1/4 BSP.F | |
| HGM-06X-2080 | 1 BSP.F | | |
| HGM-06-2090 | 3/4 NPT | 1/4 NPT | 3/8-16 UNC |
| HGM-06X-2090 | 1 NPT | | |

■ Pressure Drop for Reversed Free Flow

Hydraulic Fluid: Viscosity 35 mm²/s (164 SSU), Specific Gravity 0.850



- For any other viscosity, multiply the factors in the table below.

| | | | | | | | | | | | |
|-----------|--------------------|------|------|------|------|------|------|------|------|------|------|
| Viscosity | mm ² /s | 15 | 20 | 30 | 40 | 50 | 60 | 70 | 80 | 90 | 100 |
| | SSU | 77 | 98 | 141 | 186 | 232 | 278 | 324 | 371 | 417 | 464 |
| Factor | | 0.81 | 0.87 | 0.96 | 1.03 | 1.09 | 1.14 | 1.19 | 1.23 | 1.27 | 1.30 |

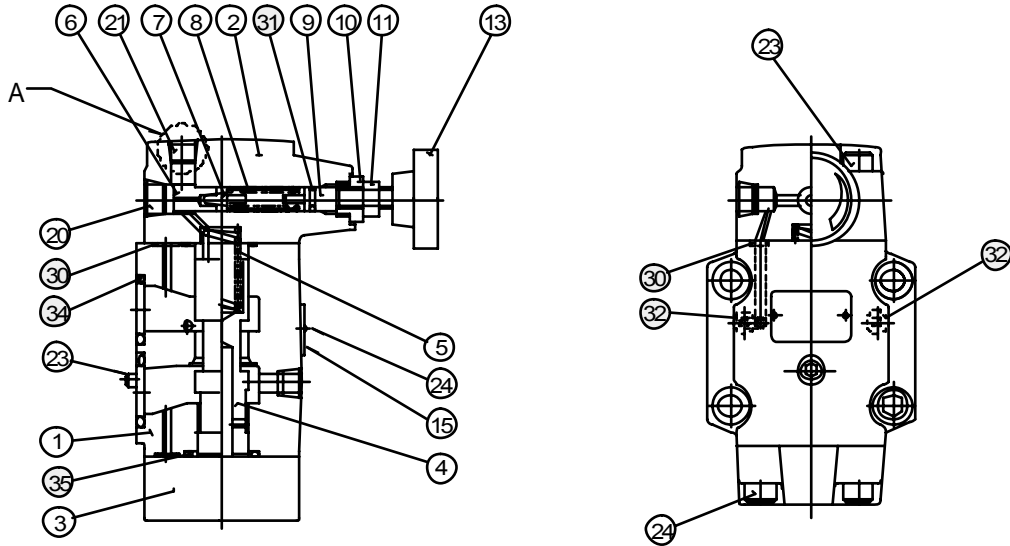
- For any other specific gravity (G'), the pressure drop ($\Delta P'$) may be obtained from the formula below.

$$\Delta P' = \Delta P (G'/0.850)$$

RT/RG-03-* -22/2280/2290
 RT/RG-06-* -22/2280/2290
 RT/RG-10-* -22/2280/2290

CAUTION

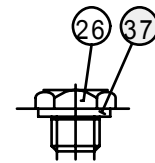
When making replacement of seals, please do it carefully after reading through the relevant instructions in the Operator's Manual.



● List of Seals

| Item | Name of Parts | Part Numbers | | | Quantity | |
|------|---------------|--------------|--------------|--------------|----------|------|
| | | RT RG -03 | RT RG -06 | RT RG -10 | RT-* | RG-* |
| 30 | O-Ring | SO-NB-P6 | SO-NB-P6 | SO-NB-P6 | 4 | 4 |
| 31 | O-Ring | SO-NA-P9 | SO-NA-P9 | SO-NA-P9 | 1 | 1 |
| 32 | O-Ring | SO-NB-P9 | SO-NB-P9 | SO-NB-P9 | — | 2 |
| 34 | O-Ring | SO-NB-P18 | SO-NB-P28 | SO-NB-P32 | — | 2 |
| 35 | O-Ring | SO-NB-P22 | SO-NB-P28 | SO-NB-P36 | 2 | 2 |
| 37 | Bonded Seal | SG-FB-1/4 | SG-FB-1/4 | SG-FB-1/4 | 1 | 1 |

Note: When ordering the seals, please specify the seal kit number from the table below.



Section "A" for
Design 2280

● List of Seal Kits

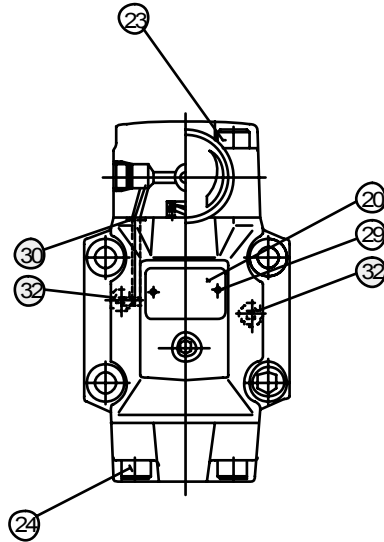
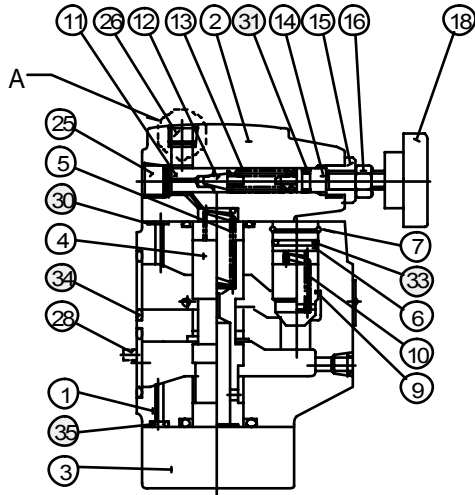
| Model Numbers | Seal Kit Numbers |
|-----------------------|------------------|
| RT-03-* -22/2280/2290 | KS-RT-03-22 |
| RT-06-* -22/2280/2290 | KS-RT-06-22 |
| RT-10-* -22/2280/2290 | KS-RT-10-22 |
| RG-03-* -22/2280/2290 | KS-RG-03-22 |
| RG-06-* -22/2280/2290 | KS-RG-06-22 |
| RG-10-* -22/2280/2290 | KS-RG-10-22 |

Note: No bonded seals are included in the seal kits.

RCT/RCG-03-* -22/2280/2290
 RCT/RCG-06-* -22/2280/2290
 RCT/RCG-10-* -22/2280/2290

CAUTION

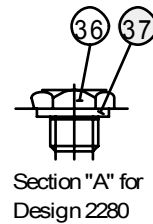
When making replacement of seals, please do it carefully after reading through the relevant instructions in the Operator's Manual.



● List of Seals

| Item | Name of Parts | Part Numbers | | | Quantity | |
|------|---------------|----------------|----------------|----------------|----------------|----------------|
| | | RCT RCG -03 | RCT RCG -06 | RCT RCG -10 | RCT-* RCG-* | RCT-* RCG-* |
| 30 | O-Ring | SO-NB-P6 | SO-NB-P6 | SO-NB-P6 | 4 | 4 |
| 31 | O-Ring | SO-NA-P9 | SO-NA-P9 | SO-NA-P9 | 1 | 1 |
| 32 | O-Ring | SO-NB-P9 | SO-NB-P9 | SO-NB-P9 | — | 2 |
| 33 | O-Ring | SO-NB-P12 | SO-NB-P18 | SO-NB-P22A | 1 | 1 |
| 34 | O-Ring | SO-NB-P18 | SO-NB-P28 | SO-NB-P32 | — | 2 |
| 35 | O-Ring | SO-NB-P22 | SO-NB-P28 | SO-NB-P36 | 2 | 2 |
| 37 | Bonded Seal | SG-FB-1/4 | SG-FB-1/4 | SG-FB-1/4 | 1 | 1 |

Note: When ordering the seals, please specify the seal kit number from the table below.



● List of Seal Kits

| Model Numbers | Seal Kit Numbers |
|------------------------|------------------|
| RCT-03-* -22/2280/2290 | KS-RCT-03-22 |
| RCT-06-* -22/2280/2290 | KS-RCT-06-22 |
| RCT-10-* -22/2280/2290 | KS-RCT-10-22 |
| RCG-03-* -22/2280/2290 | KS-RCG-03-22 |
| RCG-06-* -22/2280/2290 | KS-RCG-06-22 |
| RCG-10-* -22/2280/2290 | KS-RCG-10-22 |

Note: No bonded seals are included in the seal kits.

