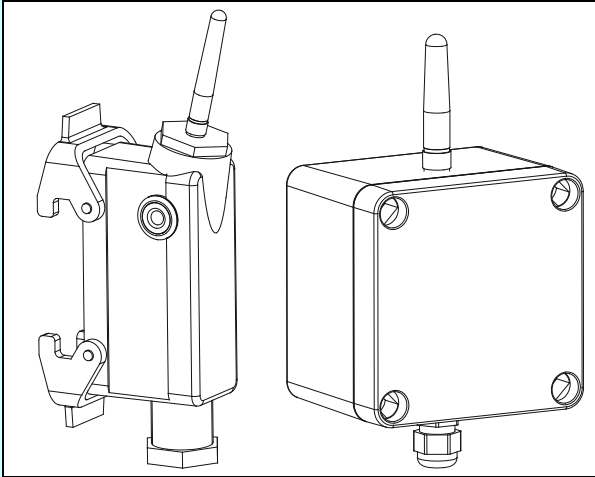


# RF unit for extensimetrical transducers

## ZB Series



### Description

System for signals radio transmission for extensimetrical or analogue pressure transducers.

- Receiver powered by common rechargeable batteries
- For single or double channel transducers
- Two optional digital inputs for end of stroke or microswitches
- Receiver with CAN bus connection
- RS-232 serial port for diagnostic and system configuration

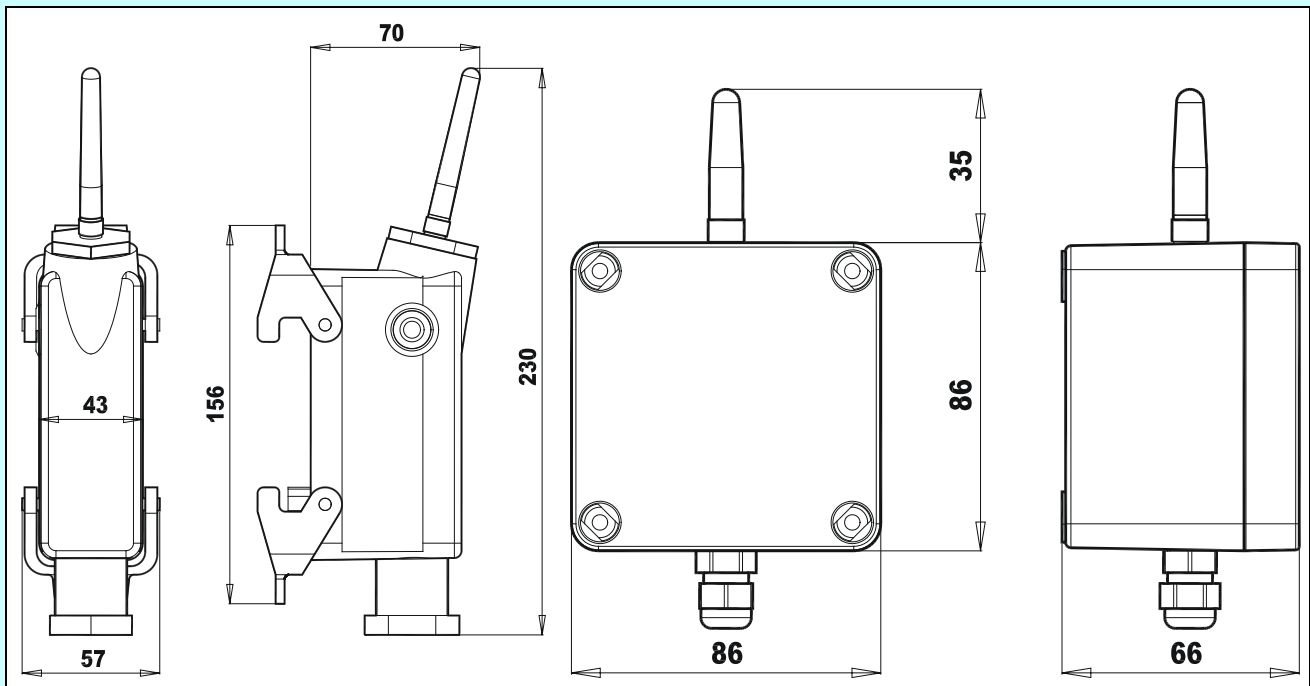
On request:

- Switch button to power off the transmitter

### Technical data

	Transmitter	Receiver	
Power supply	2 C size batteries	9 to 33 Vdc	Rechargeable NiMH 1.2 V, 4500 mAh
Communication protocols	ZigBee	ZigBee, CAN	ZigBee, frequency 2.4 GHz
Maximum work distance	50 m	50 m	In open field
Digital inputs	2	•	•
Analogue inputs	2	•	Differential or for amplified transducers
Battery life	56 hours working or 112 hours stand-by	•	With transmitter connected to single channel extensimetrical transducers
Programmation/diagnostic	•	RS-232	Via PC or other serial device
Operating temperature	-40 to 70 °C (*)	-40 to 70 °C	(*) May changes for different batteries
Standard protection grade	IP65	IP65	•

### Dimensions [mm]



ZB v.1.01 2009