

LED display

VPM-CM Series



Description

The VPM-CM displays are used to display, through two 10 LED's parallel bars, the values received from the LLD series BPE boards, as:

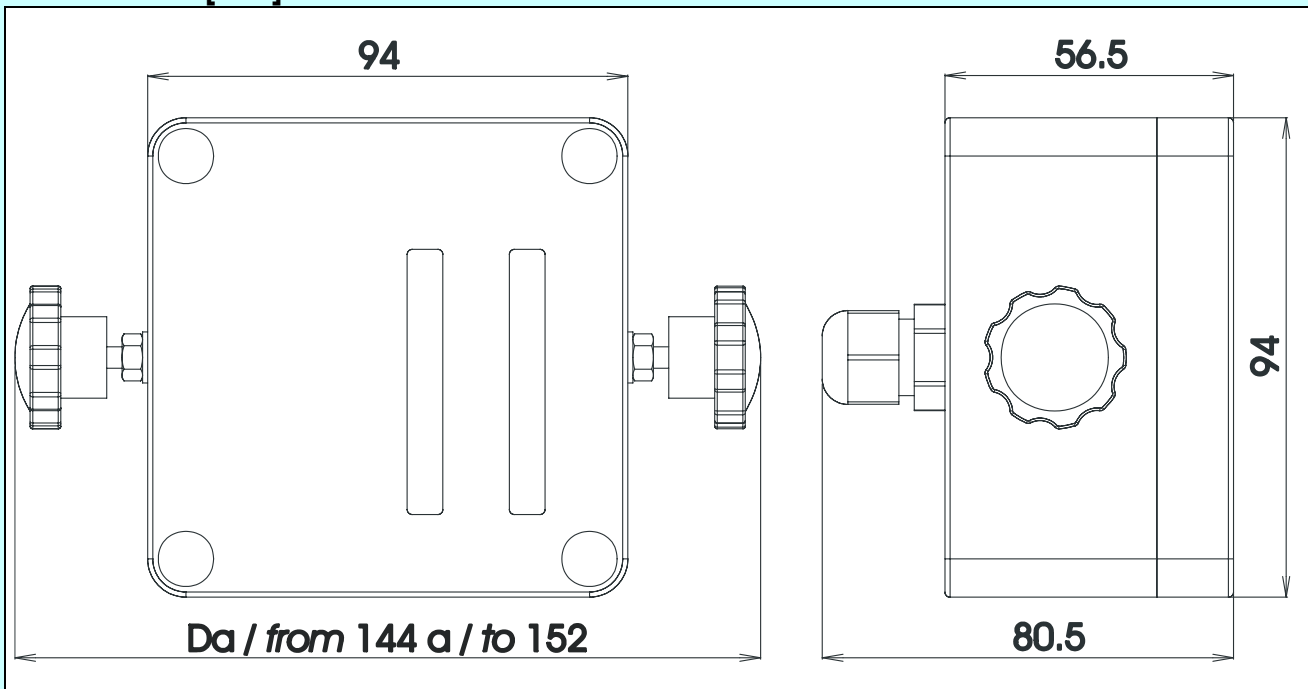
- pressure
- load or moment

Normally supplied in a box with two knobs for mechanical fitting and display orientation.

Technical data

Power supply	10÷30	Vdc	-
Serial inputs	1	-	For LLD series BPE boards outputs.
10 LED's bars	2	-	Parallels and independents. Brightness adjustable through trimmer.
Max electrical input	100	mA	-
Operating temperature	-20÷70	°C	-
Standard protection grade	IP55	-	-

Dimensions [mm]



It is prohibited to use this apparatus/accessory until the machine onto which it is mounted has been declared in conformity with the Machine Directive 98/37/EEC.

BPE Electronics Srl should modify technical data without advise

VPM-CM v.1.02.2008