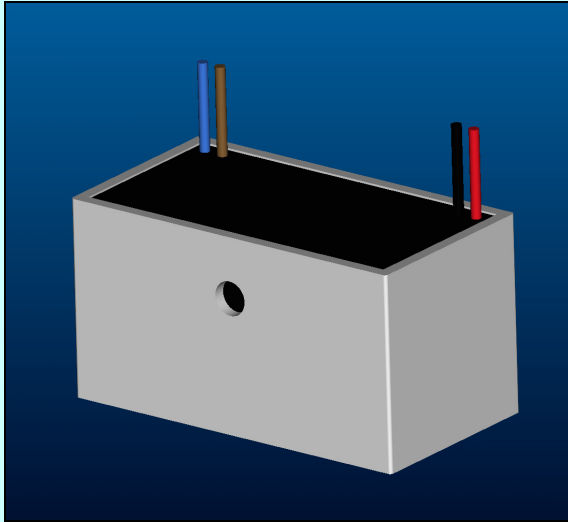


Voltage adapter 48-24 Vdc

Series RT



Description

- Voltage adapter from 48 Vdc to 24 Vdc
- Available on request from 48 Vac to 24 Vdc
- Protected against:
 - polarity reversal
 - output short circuit

Technical data

Input voltage	36 to 75 ^(*)	Vdc
Output voltage	24 – (0÷5)%	Vdc
Maximum load	300	mA
Maximum ripple	100 mV at 300 mA	-
Operating temperature	-20 to 70 °C ^(**)	-

Standard protection grade	IP 67	-
Box dimension	29x29x54	mm
Mechanical fitting	With through hole (45 mm internal diameter)	-

^(*) Available on request with 48 Vac +20%-25% power supply

^(**) Available on request with Operating temperature from -40 to +70 °C

Dimensions [mm]

