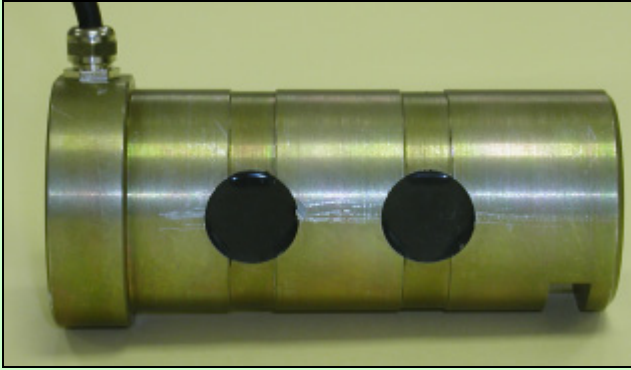


# Pin transducers

## TPE Series



### Description

The special TPE series pin transducers are normally used to measure shearing stress instead of an existing pin. Versions with axial or radial electrical connection are available. They are made of steel. Special finishes and materials are available on request.

**Note: The user/installed is responsible for evaluating the values and, thus, the safety of the application.**

### Technical data

Maximum power supply	7	Vdc
Nominal load	500~60000	daN
Sensitivity	0.5~1.0	mV/V
Linearity, repeatability, hysteresis	± 1	%FS
FS and zero temperature coeff.	0.05	%FS

Insulation	> 5	GΩ
Input and output resistance	350	Ω
Decalibration overload	150	%
Standard breaking overload	300	%
Operating temperature	-20 to 70	°C
Standard protection grade	IP 67	-

Rough specifications of certain, already produced transducers:

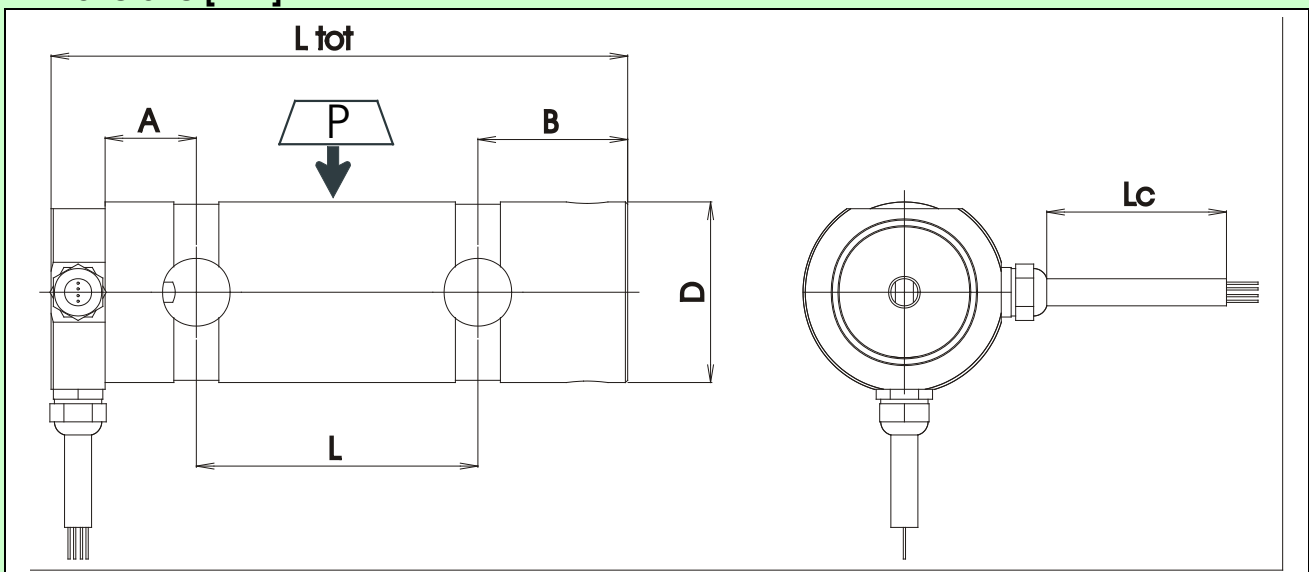
Load [ daN ]	D [ mm ]	Ltot [ mm ]
500	15 - 20	50 - 75
750	15 - 20	50 - 80
1000	20 - 40	50 - 80
1250	20 - 45	50 - 80
1500	20 - 45	50 - 100
1750	20 - 45	80 - 170
2000	20 - 50	80 - 320

Load [ daN ]	D [ mm ]	Ltot [ mm ]
2500	25 - 50	80 - 350
3000	30 - 50	100 - 350
3500	35 - 60	100 - 350
4000	35 - 60	100 - 350
5000	25 - 50	100 - 350
7500	35 - 60	100 - 350
8000	40 - 80	100 - 350

Load [ daN ]	D [ mm ]	Ltot [ mm ]
9000	40 - 80	100 - 350
10000	40 - 80	100 - 350
12500	40 - 80	100 - 350
15000	40 - 80	100 - 350
25000	60 - 80	200 - 350
35000	60 - 80	200 - 350
60000	80 - 100	200 - 350

**Note: The A, B and L dimensions are customizable.**

### Dimensions [mm]



It is prohibited to use this apparatus/accessory until the machine onto which it is mounted has been declared in conformity with the Machine Directive 98/37/EEC.

BPE Electronics Srl should modify technical data without advise

TPE v.1.05 2010