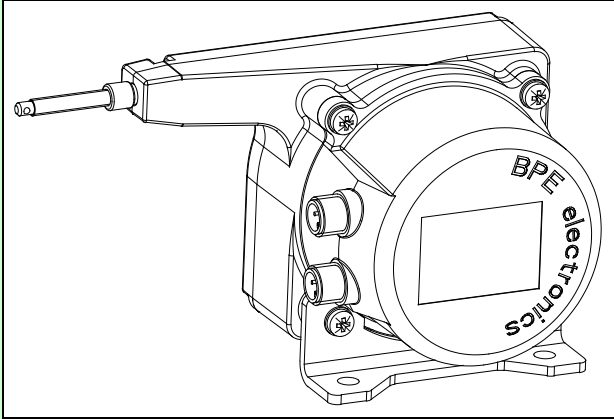




# Micro Length Transducers

## TLu Series



### Description

- Compact length transducer
- Optimized to be used inside extensible outriggers
- On request double channel version for PLd (EN13849-1) systems
- It can be used for systems like truck mounted cranes, mobile cranes, aerial platforms or some other
- Voltage, current or CAN output
- Waterproof, plastic, compact body
- Easy to install
- Ninety degrees orientable cable exit and fixing flange
- Nylon-coated stainless steel rope
- Ninety degrees orientable electrical connection with M12x1 connectors

**Note: the user/installer is responsible for evaluating the values and, thus, the safety of the application.**

### Common characteristics

Version	Vin	Output	Supply current <sup>(1)</sup>
Potentiometric	0 to 33 Vdc	10% to 92% Vin	3.3   6.6 mA
Electronic	9 to 33 Vdc	0.5 to 4.5 Vdc	30   60 mA
Electronic	9 to 33 Vdc	4 to 20 mA	30+20   60+40 mA
Electronic	9 to 33 Vdc	CAN bus	30   60 mA
Working length measurement	4.0 m <sup>(2)</sup>		
Electric insulation	6500 Vac		
Housing material	PA 6.6 + 40% mineral filled		
EMC Conformity	EN 61000-6-3, EN 61000-6-2		
Operating temperature	-40 to 70 °C		

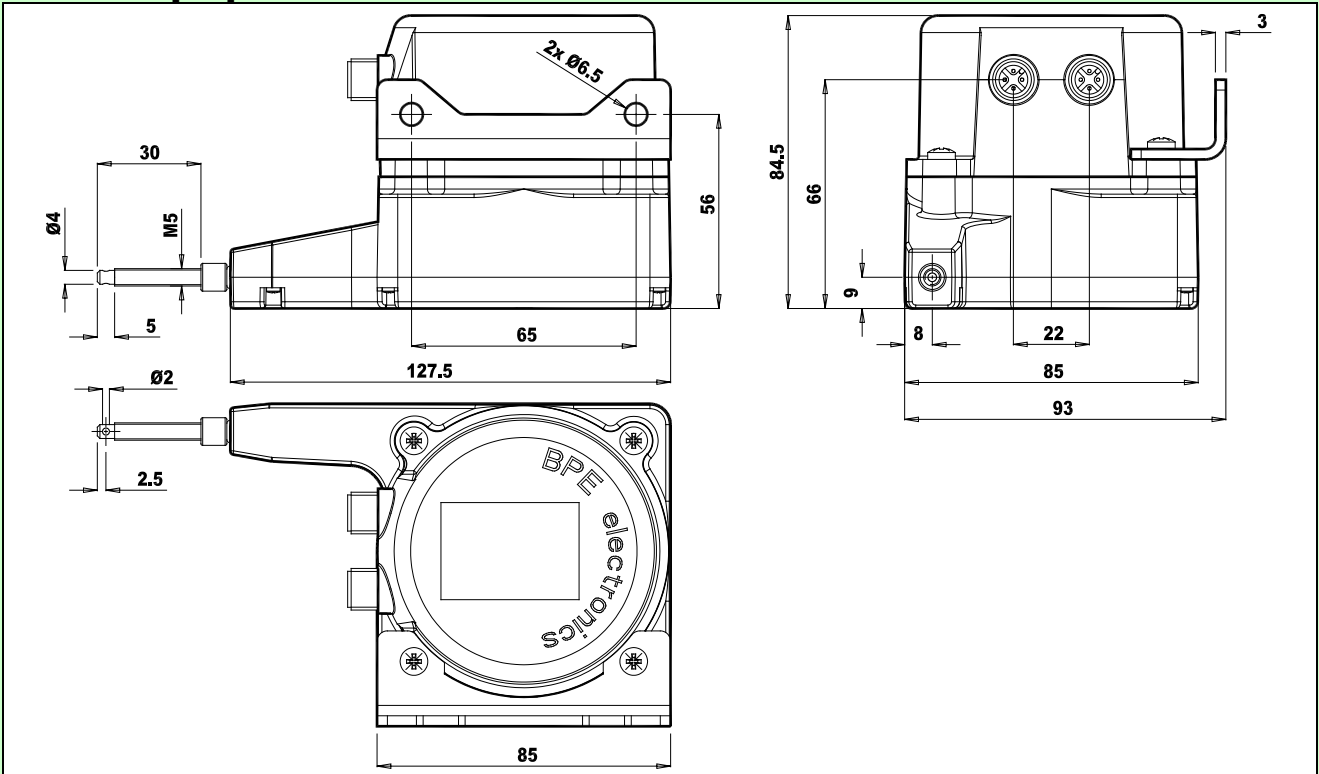
<sup>(1)</sup> Device supply current (and max output load for 4 to 20 mA version) for single and double channel version

Length sensor accuracy (non linearity, hysteresis and repeatability)	± 0.5 %FS
Typical product life	10 <sup>5</sup>
Rope breaking force	18 daN
Min/max force to pull out the rope	0.4/0.6 daN
Rope diameter	0.6 mm
Standard protection grade (electronics only)	IP 66
Max weight <sup>(3)</sup>	0.60 kg

<sup>(2)</sup> Max 5.0 m, with shorter life and lower precision

<sup>(3)</sup> Can be lower for other versions

### Dimensions [mm]



It is prohibited to use this apparatus/accessory until the machine onto which it is mounted has been declared in conformity with the Machine Directive 98/37/EEC.

BPE Electronics Srl should modify technical data without advise

TLu v.1.07 2010