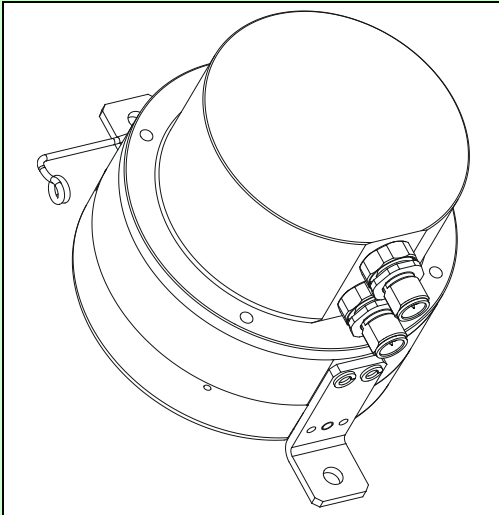


Length transducers

TLM Series



Description

- Compact length transducer
- Double or single linear potentiometric transducer
- It can be used for cranes, truck mounted cranes and aerial platforms
- CAN output on request (bigger dimensions)
- Waterproof, compact aluminium body
- Easy to install
- Right or left side mounting version
- Electrical connection with M12x1 connectors. On request orientation every 90 degrees.

Note: the user/installer is responsible for evaluating the values and, thus, the safety of the application.

Technical data

Model	Sensors N.	Work length measurement
TLM 2.0	1	2.0 m
TLM 4.0	1	4.0 m

Model	Sensors N.	Work length measurement
TLM 5.5	1	5.5 m

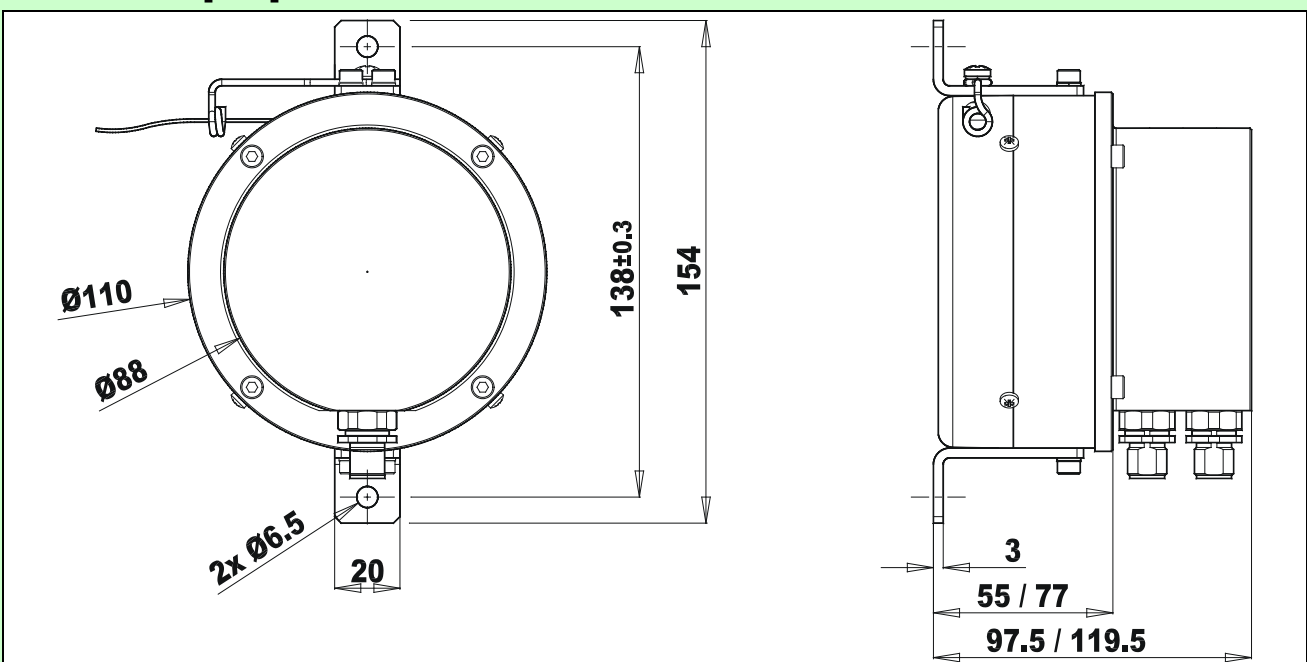
Common characteristics

Max input voltage ^(*)	5.0 to 33 Vdc
Output voltage rating	from 5% to 95% Vin
Operating temperature	-20 to 70 °C
Weight	2.0 kg

Accuracy (non linearity, hysteresis and repeatability) - Length sensor	± 1.0 %FS
Standard protection grade	IP 65

^(*) For CAN version, the power supply is from 9 to 33 Vdc from battery.

Dimensions [mm]



It is prohibited to use this apparatus/accessory until the machine onto which it is mounted has been declared in conformity with the Machine Directive 98/37/EEC.

BPE Electronics Srl should modify technical datas without advise

TLM v.1.02 2009