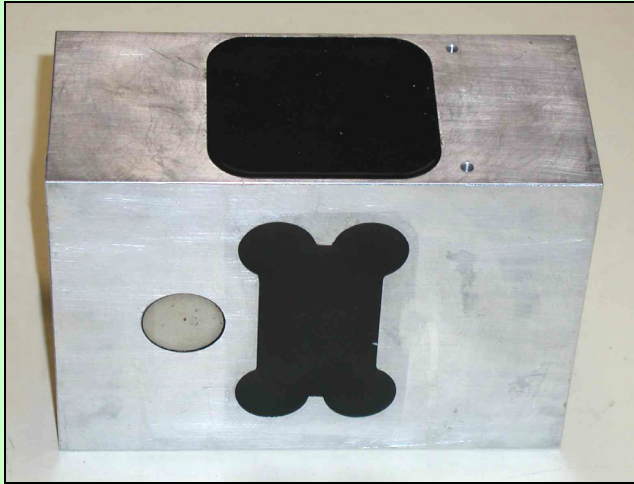


Off-center transducers

TDB Series



Description

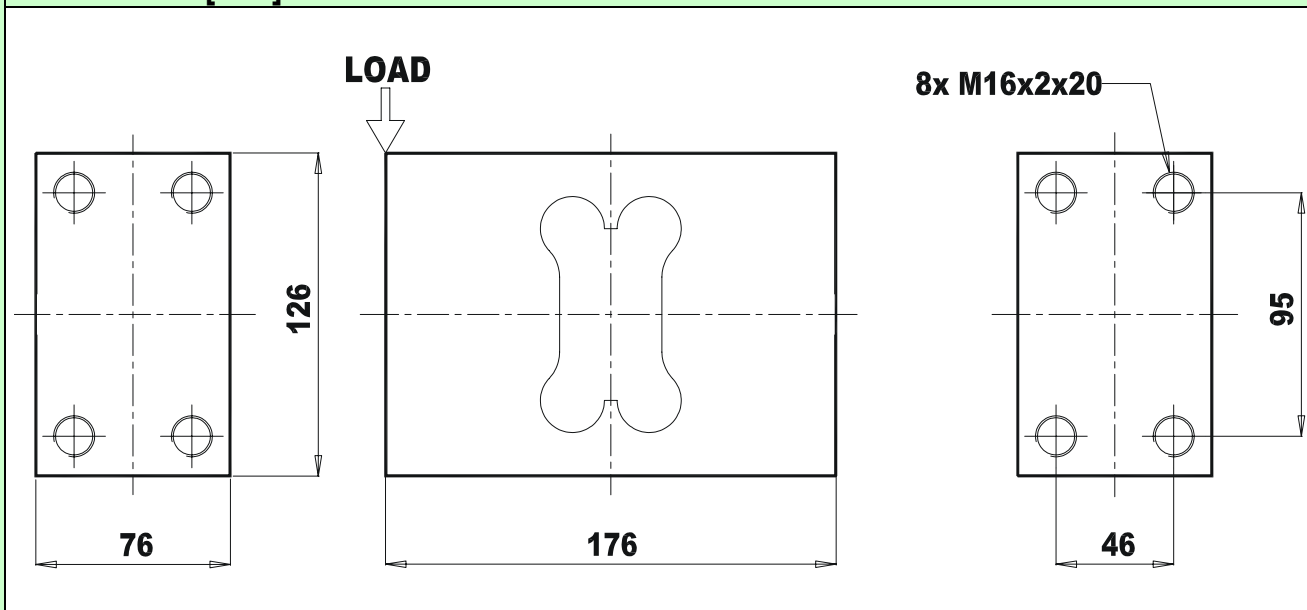
- Normally used to measure the load in aerial baskets/work platform cages
- Alluminium made
- Available on request the 4 to 20 mA output, three wires version
- Standard cable length: 4 meters
- Mechanical fixing with eight M16 screws (usable height of thread: 20 mm)

Note: The user/installer is responsible for evaluating the values and, thus, the safety of the application. For safety reason it is compulsory to use a mechanical breaking protection system.

Technical data

Technical data	Differential output	4 to 20 mA output	
	Maximum power supply	7	
Nominal load	1000		daN
Standard sensitivity	0.8	-	mV/V
Linearity, repeatability, hysteresis	± 1		%FS
Insulation	> 5		GΩ
Input and output resistance	350	-	Ω
Decalibration overload	150		%
Operating temperature	-20 to 70		°C
Standard protection grade	IP 67		-

Dimensions [mm]



It is prohibited to use this apparatus/accessory until the machine onto which it is mounted has been declared in conformity with the Machine Directive 98/37/EEC.

BPE Electronics Srl should modify technical data without advise

TDB v.1.01 2009