

Transducers for aerial platforms

TC82 Series



Description

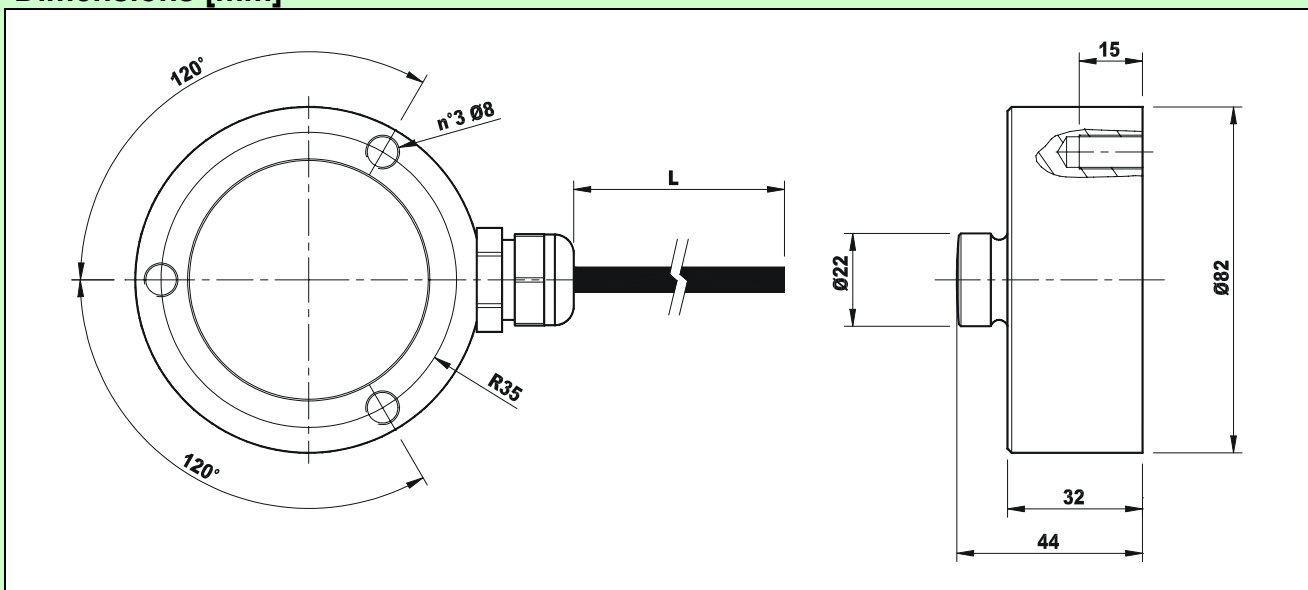
The special transducers in the TC82 series are normally used to measure the load in an aerial basket/work platform cages. They are made of steel. Special finishes and materials are available on request.

Note: The user/installer is responsible for evaluating the values and, thus, the safety of the application.

Technical specifications

Maximum power supply	7	Vdc
Nominal load	1000÷10,000	DaN
Standard sensitivity	2.0	mV/V
Linearity, repeatability, hysteresis	± 1	%FS
FS and zero temperature coefficient	0.05	%FS
Insulation	> 5	GΩ
Input and output resistance	350	Ω
Decalibration overload	150	%
Operating temperature	-20÷70	°C
Standard protection grade	IP 66	-

Dimensions [mm]



It is prohibited to use this apparatus/accessory until the machine onto which it is mounted has been declared in conformity with the Machine Directive 98/37/EEC.

BPE Electronics Srl should modify technical datas without advise

TC82 v.1.04 2007