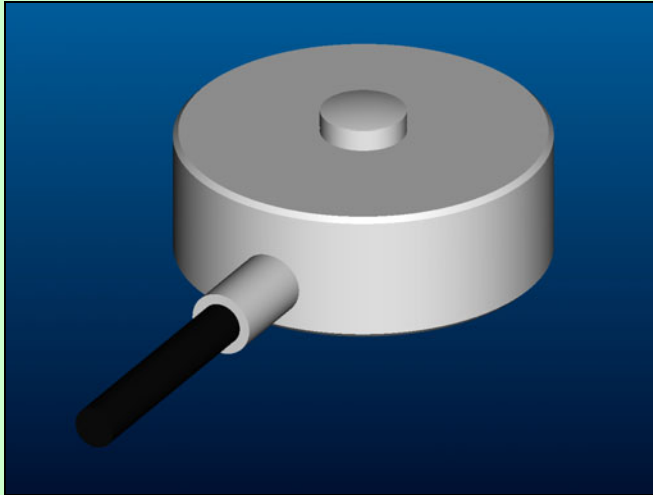


Transducers for aerial platforms

Series TC35



Description

The special transducers in the TC35 series are normally used to measure the load in an aerial basket/work platform cages.

They are made of stainless steel. Special finishes and materials are available on request.

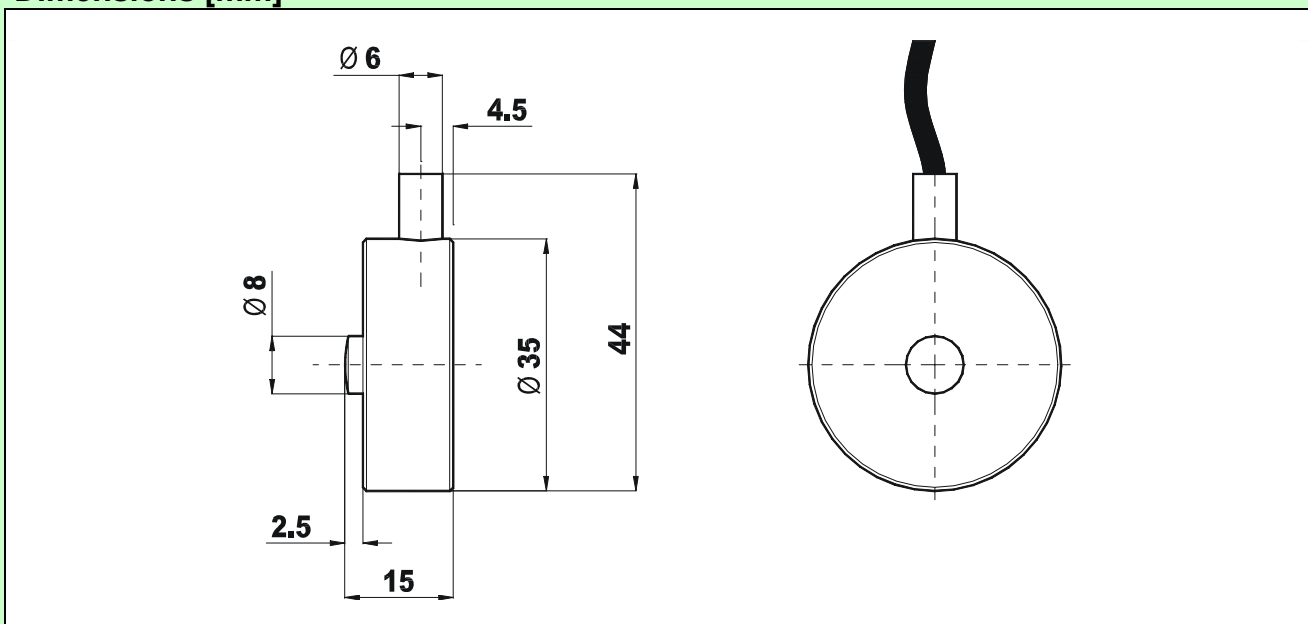
Standard cable length 3 meters.

Note: The user/installer is responsible for evaluating the values and, thus, the safety of the application.

Technical specifications

Maximum power supply	7	Vdc
Nominal load	5000	daN
Standard sensitivity	1.9	mV/V
Linearity, repeatability, hysteresis	± 1	%FS
FS and zero temperature coefficient	0.05	%FS
Insulation	> 5	GΩ
Input and output resistance	350	Ω
Decalibration overload	150	%FS
Breaking load	300	%FS
Operating temperature	-20÷70	°C
Standard protection grade	IP 66	-

Dimensions [mm]



It is prohibited to use this apparatus/accessory until the machine onto which it is mounted has been declared in conformity with the Machine Directive 98/37/EEC.

BPE Electronics Srl should modify technical datas without advise

TC35 v.1.01 2004