

Ring transducers

TAN Series



Description

The special TAN series ring-shaped transducers are normally used to measure the load in basket/work platform cages. They are made of steel. Other special finishes and materials are available on request.

Notes

- The cell backing must be as rigid as possible.
- Do not bolt or rigidly fix the transducer to the backing.
- The cell must be positioned on a guided support or centering and be pinned to prevent it from turning. The cell must be fastened in such a way as to prevent it from being deformed if the support warps.

The user/installer is responsible for evaluating the values and, thus, the safety of the application.

Technical data

Maximum power supply	7	Vdc
Nominal load	100~1000	daN
Standard sensitivity	0.5~1.0	mV/V
Linearity, repeatability, hysteresis	± 1	%FS
FS and zero temperature coeff.	0.05	%FS

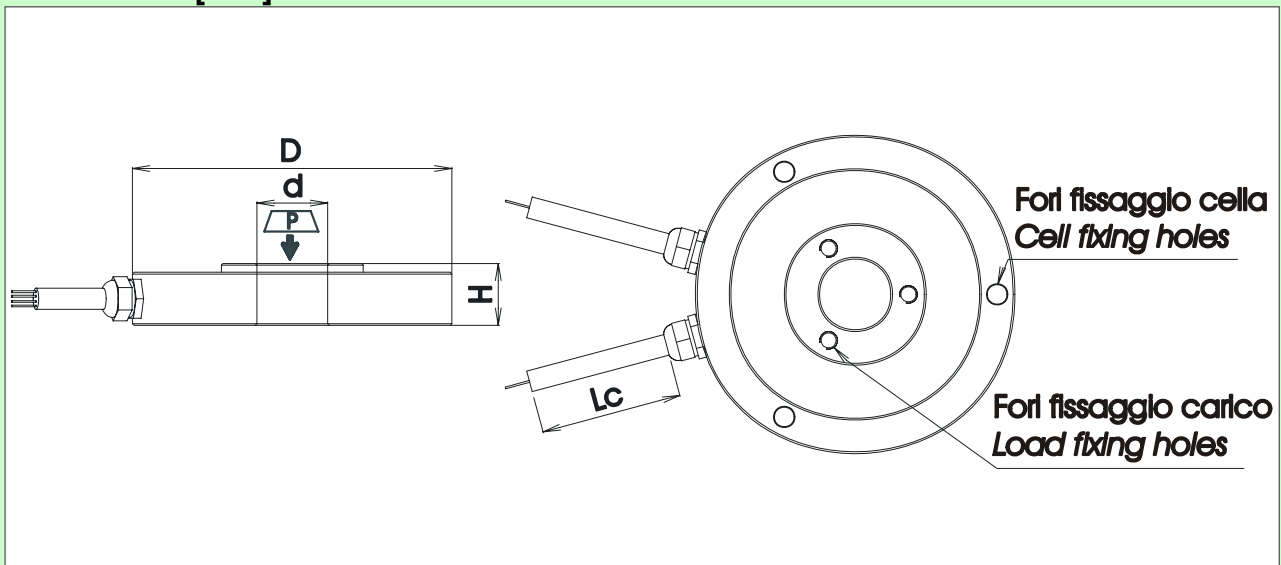
Insulation	> 5	GΩ
Input and output resistance	350	Ω
Decalibration overload	150	%
Operating temperature	-20 to 70	°C
Standard protection grade	IP 66	-

Rough specifications of certain, already produced transducers:

Load [daN]	D [mm]	d [mm]	H [mm]
100	59	M 20	15
200	148	50	22
300	90	45	17
300	120	60	13
500	90	25	17

Load [daN]	D [mm]	d [mm]	H [mm]
500	148	60	17
600	140	60	17
800	115	45	17
1000	34	9	22

Dimensions [mm]



It is prohibited to use this apparatus/accessory until the machine onto which it is mounted has been declared in conformity with the Machine Directive 98/37/EEC.

BPE Electronics Srl should modify technical data without advise

TAN v.1.06 2004