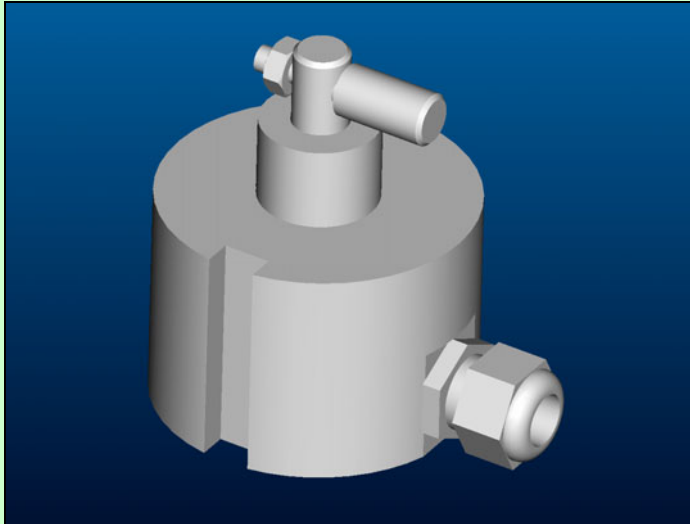


Relative angle transducers

TA-ScSH2 Series



Description

TA-ScSH2 series components are potentiometric transducers that measure the relative angle formed by a mobile part in relation to the structure to which they are fixed.

Typical uses are scissor platforms, where the movement of the boom of the structure is followed by means of the output shaft.

The transducer body is made by aluminium and the arm is made by stainless steel.

Standard cable: 3 meters, with AMP «Mate-N-Lok®» connector.

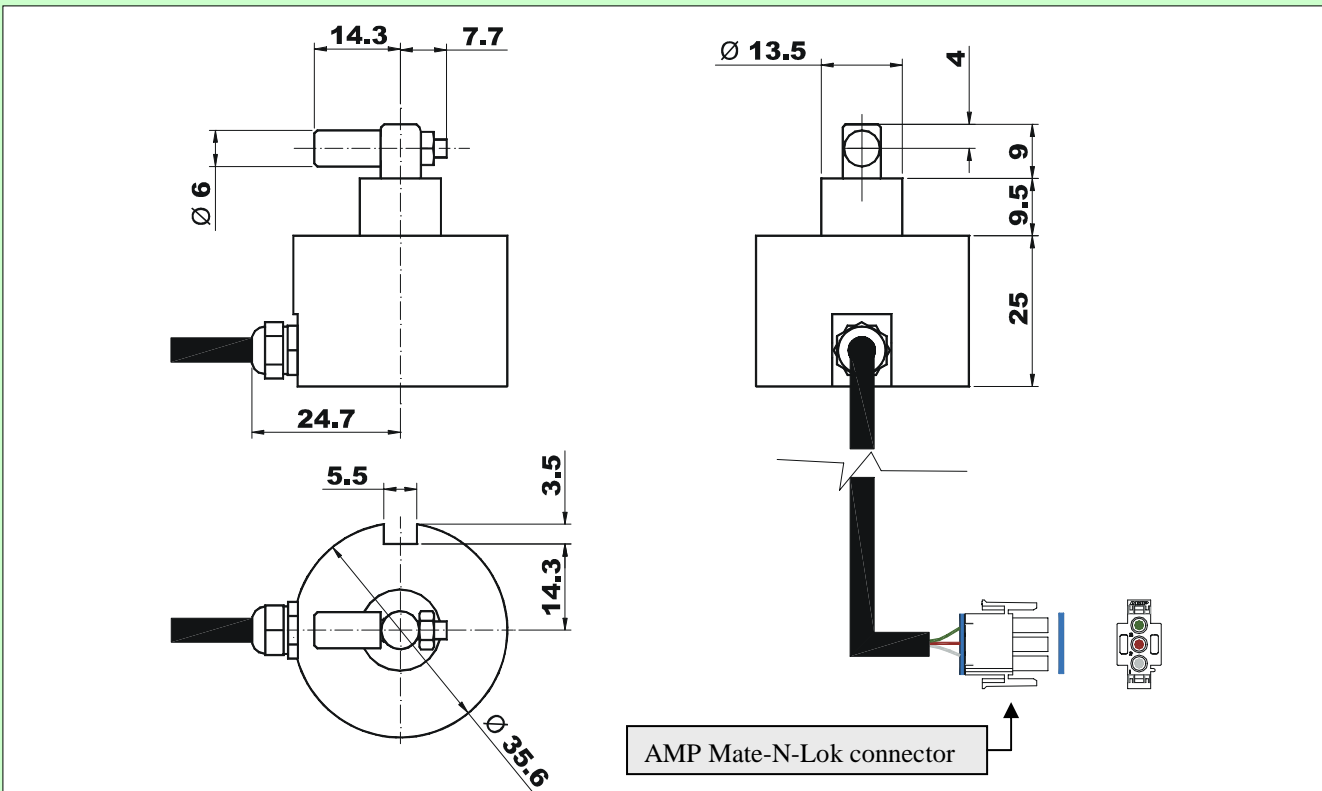
Note: The user/installer is responsible for evaluating the values and, thus, the safety of the application.

Technical data

Power supply	5 to 30	Vdc
Maximum angle measured	300	degrees
Linearity	± 2.0%	FS
Max power draw	0,18	W

Resistance	5/10	kΩ
Operating temperature	-20 to 70	°C
Standard protection grade	IP65	-
Weight (with standard cable)	190	g

Dimensions [mm]



It is prohibited to use this apparatus/accessory until the machine onto which it is mounted has been declared in conformity with the Machine Directive 98/37/EEC.

BPE Electronics Srl should modify technical datas without advise

TA-ScSH2 v.1.00 2004