

Absolute angle transducers

TA-320 Series



Description

The TA-320 series components are potentiometric angle transducers that supply a signal in **voltage** proportional to the angle measured.

Resistant, stable transducers with dampened oscillation that are easy and quick to install. They provide a good control with low hysteresis. The holder has optimum watertightness characteristics and bears the zero reference.

These transducers are used on cranes, trucks crane, aerial platforms and industrial vehicles with angle measuring functions.

The closing cover normally includes a positionable MPM connector and 4 m cable. An output with PG9 cable clamp, 30 cm cable and AMP connector is available on request. 4 or 10 m extensions with AMP connectors are available.

Note: The user/installer is responsible for evaluating the values and, thus, the safety of the application.

Technical data

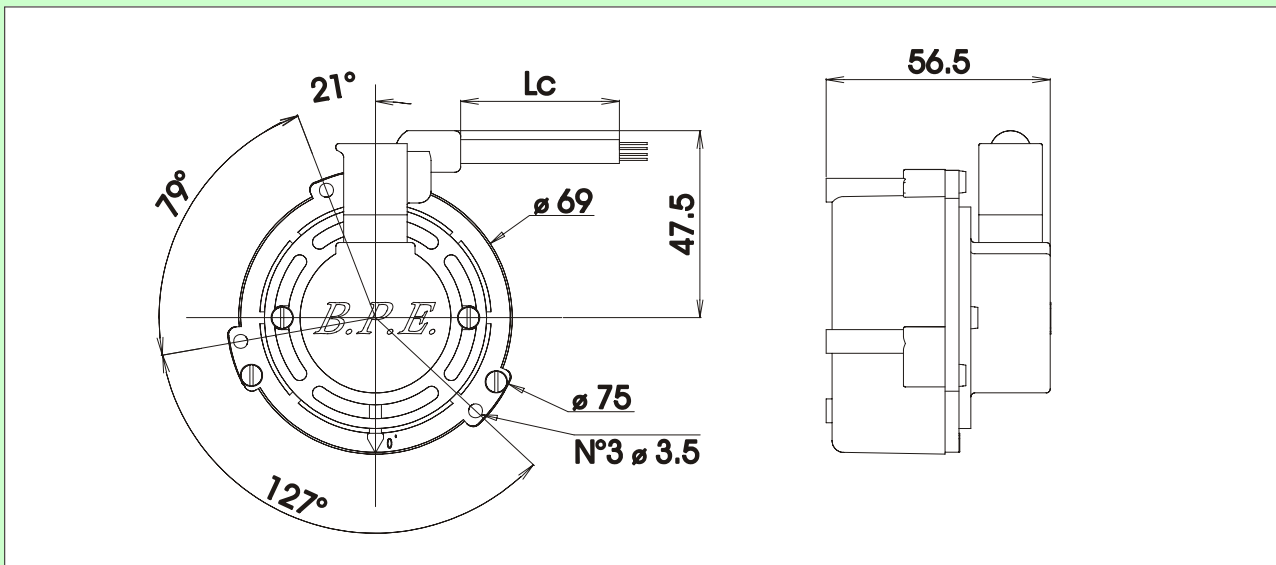
Power supply	5 to 30	Vdc
Max operating range	320	degrees
Resolution	0.5	degrees
Accuracy (non linearity, hysteresis and repeatability)	±0.5 %	FS
Maximum power draw	0.09	W

Standard resistance (*)	10	kΩ
Operating temperature	-20 to 70	°C
Connection flex	4	m
Standard protection grade	IP 66	-
Weight	0.25	kg
Mechanical fitting	left side(**)	-

(*) Different resistance value available on request.

(**) For right side mechanical fitting reverse power supply cables.

Dimensions [mm]



It is prohibited to use this apparatus/accessory until the machine onto which it is mounted has been declared in conformity with the Machine Directive 98/37/EEC.

BPE Electronics Srl should modify technical datas without advise

TA-320 v. 1.04 2007