

# ON/OFF angle detector

## TA-0 Series



### Description

TA-0 detects an angle by opening or closing a contact. *There is no mercury in the device.*

Strong and stable detector with dampened oscillations that is quick and easy to install. It provides a good control at low hysteresis. The holder has optimum watertightness characteristics and bears the zero reference, indicating that the contact is closed.

It is normally used on the booms of cranes and crane trucks or platforms to make sure that they are horizontal.

The transducer is supplied with a flex that protrudes on a level with the zero reference. 4 or 10 m extensions with AMP connectors are available.

**Note: The user/installer is responsible for evaluating the values and, thus, the safety of the application.**

### Technical data

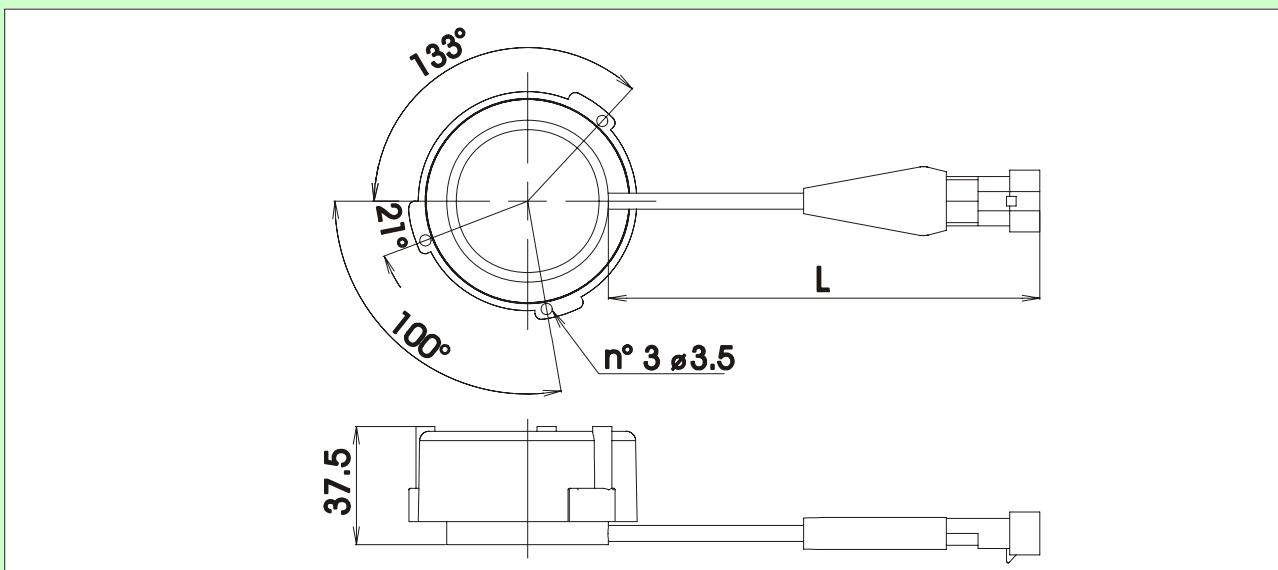
Max commutation angle	±3	degrees
Maximum current	0.8	A
Maximum voltage	60	V
Operating temperature	-20 to 70	°C

Connection cable	AMP SuperSeal 2 poles, term. 20-22 AWG length 20 cm	-
Standard protection grade	IP 66	-
Weight	0.25	kg

### Sub-versions

**TA-0 R** | Equipped with 12 kΩ resistance in parallel to the contact.  
Used to check the condition of the connection cables of the detector.

### Dimensions [mm]



It is prohibited to use this apparatus/accessory until the machine onto which it is mounted has been declared in conformity with the Machine Directive 98/37/EEC.

BPE Electronics Srl should modify technical datas without advise

TA-0 v.1.02 2002