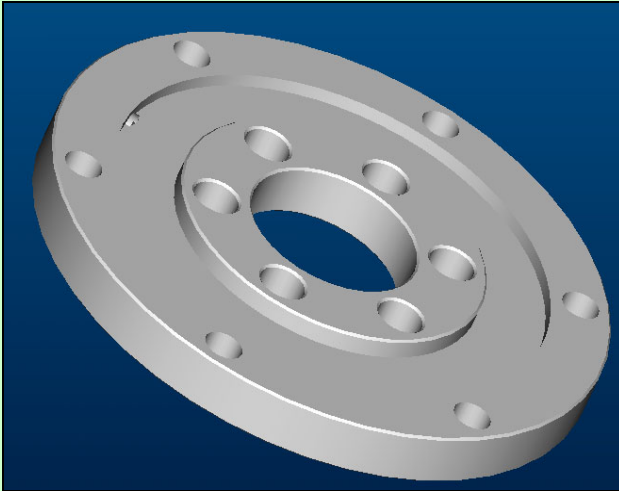


Basket rotator ring transducer

TAN Series



Description

- Used to measure the load in basket/work platforms.
- Assembled between the basket fixing plate and the hydraulic rotary actuator.
- Made of steel. Special finishes and materials on request.
- Custom load/size available on request.
- Available with two sensors for dual channel systems (two cables).

Notes

- Correct installation is essential for good performance (see separate install documentation).
- The load cell backing must be as rigid as possible.
- The load cell must be fastened in such a way as to prevent it from being deformed if the support warps.

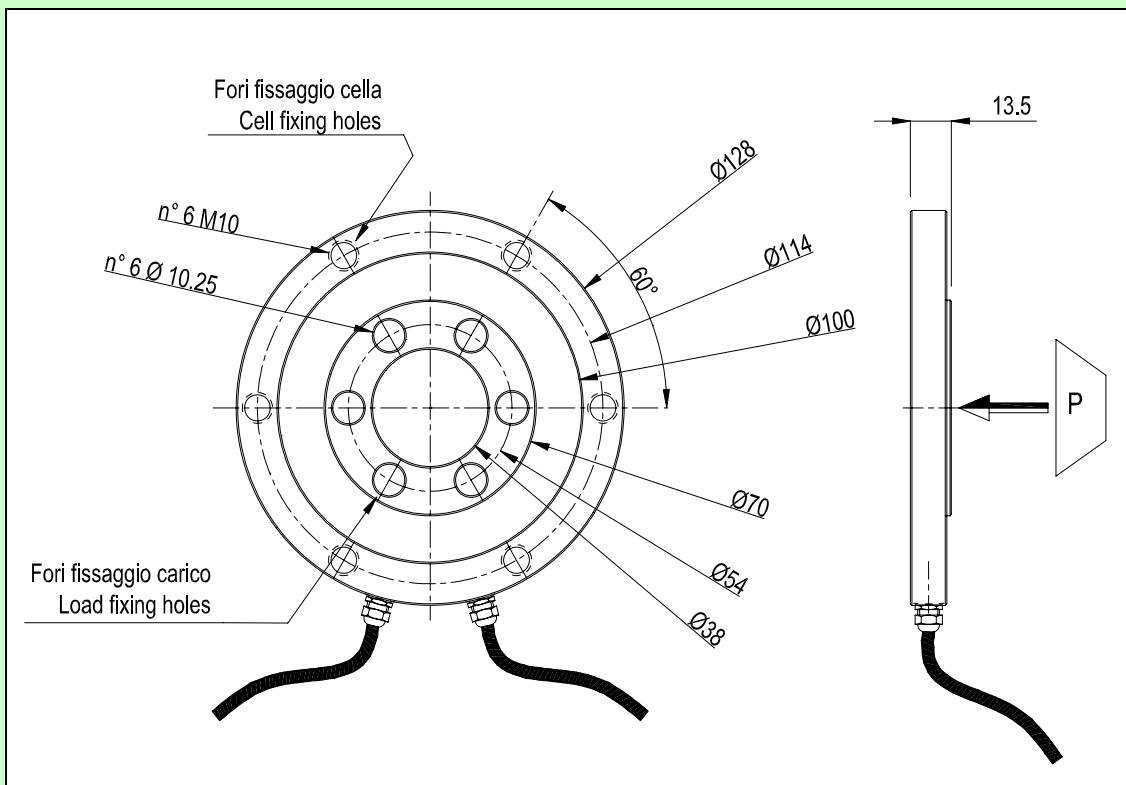
The user/installer is responsible for evaluating the values and, thus, the safety of the application.

Technical data

Maximum power supply	7	Vdc
Nominal load	250	daN
Standard sensitivity	0.6~0.8	mV/V
Linearity, repeatability, hysteresis	± 1	%FS
FS and zero temperature coeff.	0.05	%FS

Insulation	> 5	GΩ
Input and output resistance	350	Ω
Decalibration overload	150	%
Operating temperature	-20 to 70	°C
Standard protection grade	IP 66	-

Dimensions [mm]



RTAN 250 v.1.01 2004