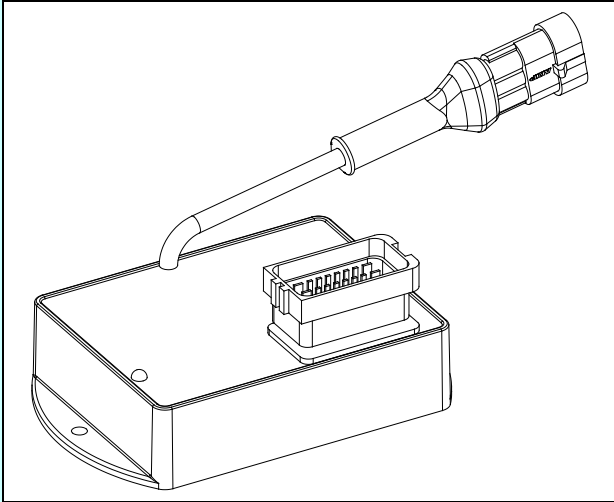


MAV1142 Series



Description

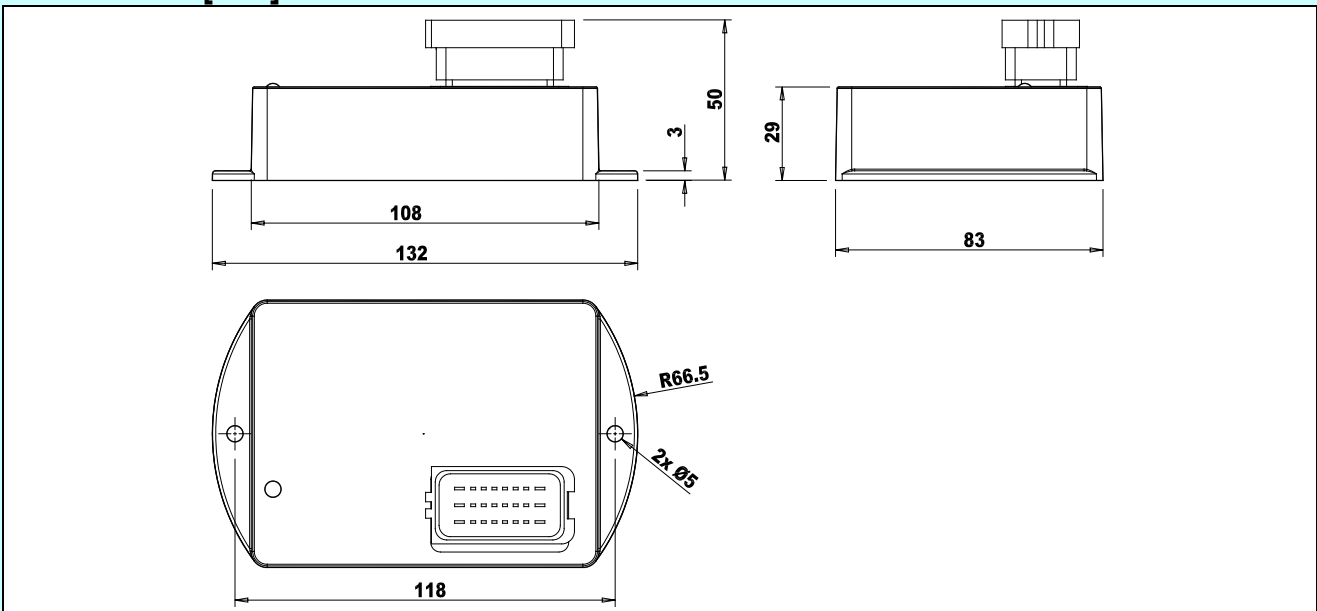
- Direct piloting of four double ON/OFF solenoid valves and one proportional solenoid valve
- Output for venting valve (CAT3/PLd on request)
- Same power supply for 12/24 Vdc systems
- Customizable via RS-232 serial port for all commercial joystick
- Three customizable digital inputs
- CAN connection
- A custom software can be used to change, for every movement: the PWM frequency, the minimum and maximum currents, the proportional solenoid valve opening and closing ramps
- Diagnostic and customization via RS-232 serial port
- Compact body

Technical data

Power supply	9 to 33 Vdc	Protected against polarity reversal
Analog inputs for joystick	four 0 to 5 Vdc or four 0 to 10 Vdc or four 4 to 20 mA	Protected against short circuits and operator errors
Digital inputs	3 (1, if CAN connection is used)	Configurable on request
ON/OFF digital outputs	4x2	Positive. I _{max} = 3 A. Protected against short circuits
Proportional PWM outputs	1	Positive. Programmable from 70 to 250 Hz. I _{max} = 2 A. Protected against short circuits
Venting valve output	1	Positive. I _{max} = 3 A. Protected against short circuits (*)
CAN connection	Yes	Instead of two digital inputs
Calibration/diagnostic	RS-232	-
Operating temperature	-40 to +70 °C	-
Standard protection grade	IP 67	-
Electrical connection	FCI SICMA2 24 poles	-
EMC conformity	EN 61000-6-2, EN61000-6-3	Heavy industrial

(*) On request with CAT3 (EN 954-1) or PLd (EN 13849-1).

Dimensions [mm]



It is prohibited to use this apparatus/accessory until the machine onto which it is mounted has been declared in conformity with the Machine Directive 98/37/EEC.

BPE Electronics Srl should modify technical data without advise

MAV1142 v.1.02 2010