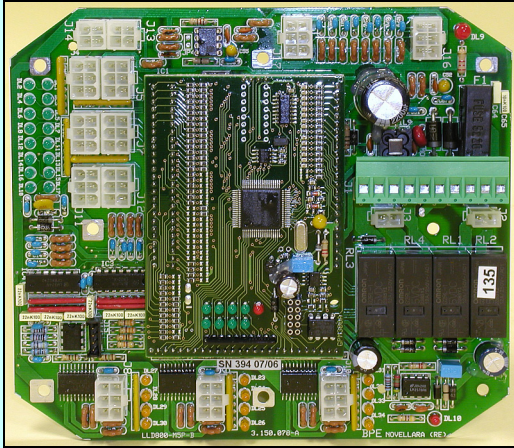




Danfoss™ valves piloting

LLD 800 M5PB series



Description

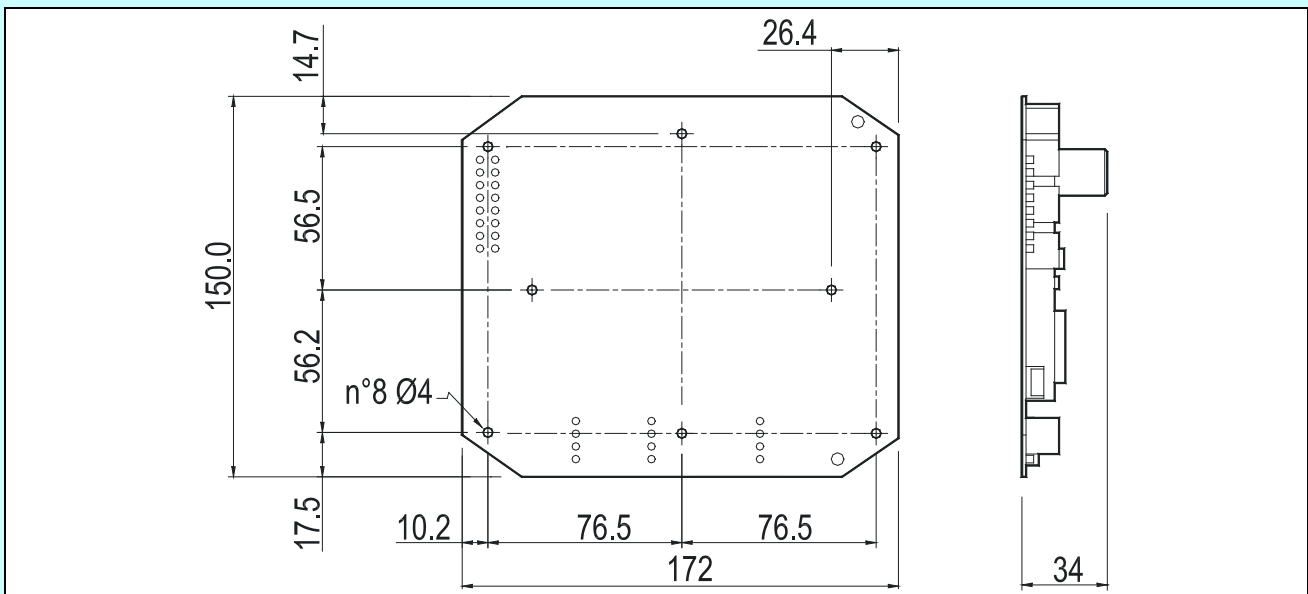
Electronic board with microprocessor that directly controls eight Danfoss™ solenoid valves.
 Can be installed in a CAN system in order to control the machine in an integrated functional way.
 Coupled with a M5x series board it can monitor the system.
 It is equipped with autotest option for logic and board functions, sensor wiring.
 Can be connected to amplified, potentiometric or differential transducers.

Safety: Category 2 (EN 954-1).

Technical data

Power supply	9 to 33 Vdc	-
Digital inputs	16	Impedence = 4.7 KΩ
Analog inputs	eight 4 to 20 mA or 0.5 to 4.5 Vdc or 2 differential types	-
Digital outputs	12	Positive, with protection against short-circuits. Imax = 1.4 A if all are activated at the same time Imax = 3 A if activated individually
Power outputs in safety status	2	Double relay type with feedback. Imax = 5 A Category 2 (EN 954-1).
Outputs for Danfoss™ solenoid v.	8	-
CAN connection	Yes	-
Programming/check-control	RS-232	Via Psion™ or Personal Computer
Operating temperature	-40 to 70 °C	-
Standard protection grade	IP55	In BPE box measuring 254x226x91.5

Dimensioni [mm]



It is prohibited to use this apparatus/accessory until the machine onto which it is mounted has been declared in conformity with the Machine Directive 98/37/EEC.

BPE Electronics Srl should modify technical data without advise

LLD 800 M5PB v.1.03 2009