



Proportional self levelling digital device

LA μ PC Series



Description

Programmable electronic board with microprocessor and two PWM outputs to check the planarity in relation to a reference axis. Used on aerial platforms and industrial vehicles. Calibration is no longer carried out by trimmers but by 5 buttons with the aid of 10 leds or via RS-232 with PC/PSION™. The following can be defined independently for each channel/semi-axis:

- the zero value and angle of intervention
 - activation and deactivation delay
 - inclination of the intervention ramp, the reaction time and dead band
- A 36W/1.5A ON/OFF positive logic safety output is available with standard intervention angle regulation, in BPE box.

The board is supplied in a box with PG9 cable clamps or with MPM connectors.

Safety: Category 3 (EN 954-1).

Technical data

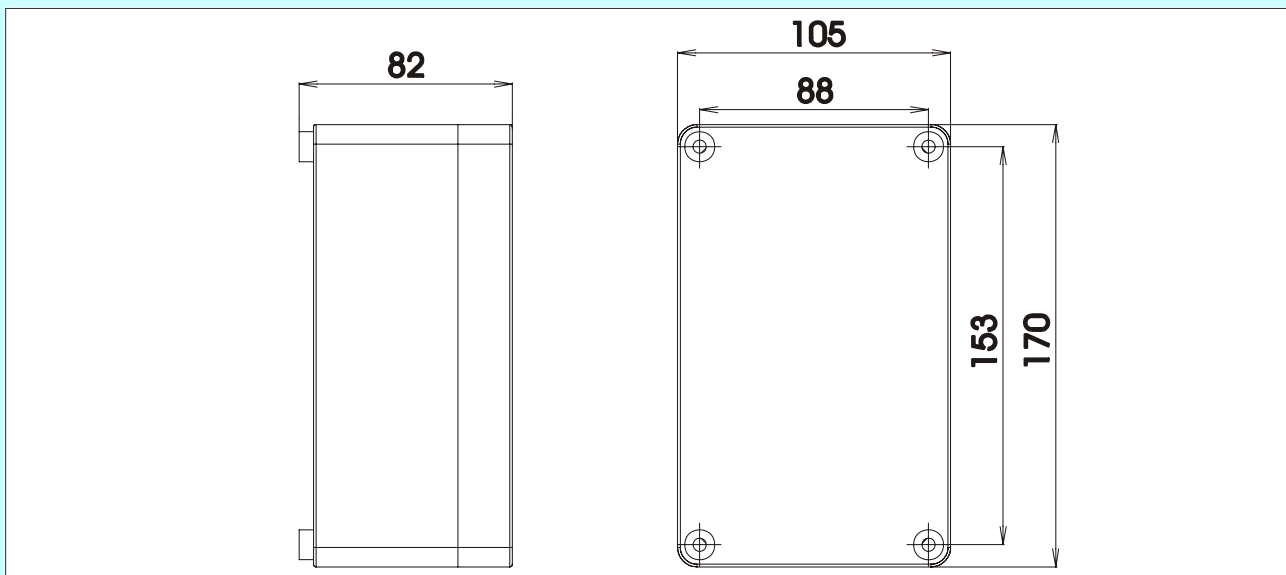
Angle of intervent	1 - 7	deg.	Adjustable
Angle sensors	1	-	-
Power supply	9 to 30	Vdc	-
Proportional outputs	2x36	W	One per channel

Operating temperature	-20 to 70	°C	-
LED signals	2	-	For the two solenoid valves
Standard protection grade	IP 55	-	In BPE box

Sub-versions

- LA μ Pc - D | With output for Danfoss solenoid valve
- LA μ Pc - A | With control output on relay to activate oil return function in levelling circuit.

Dimensions [mm]



It is prohibited to use this apparatus/accessory until the machine onto which it is mounted has been declared in conformity with the Machine Directive 98/37/EEC.

BPE Electronics Srl should modify technical datas without advise

LA μ PC v.1.02.2003