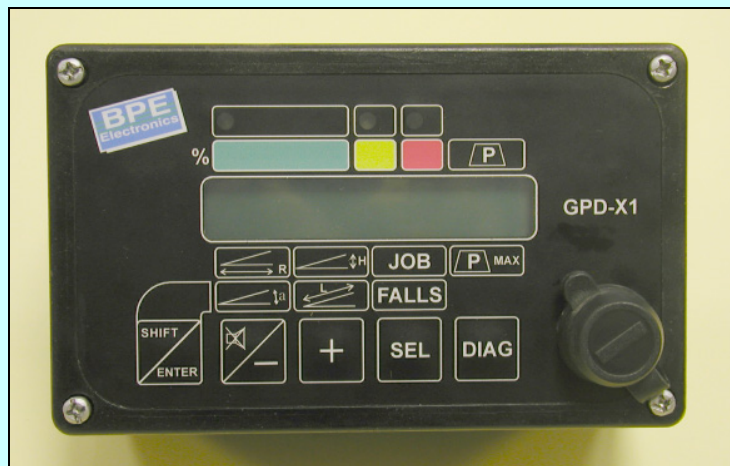




Dot matrix digital displays

GPD Series



Description

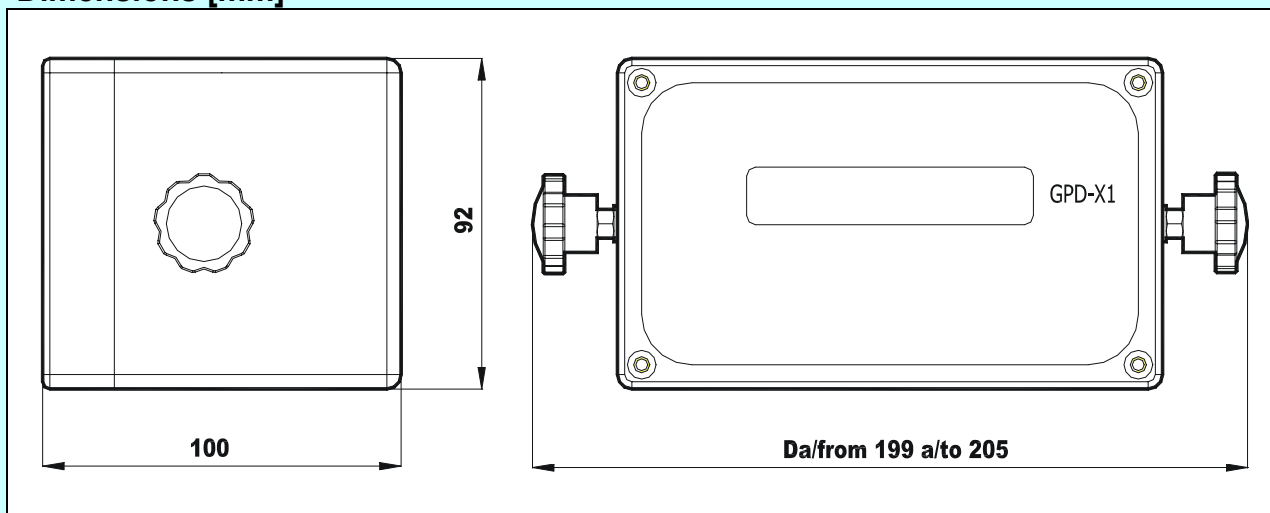
User interface to display the following parameters:

- load, angle, length, height, radius
- selected working curve
- number of pulleys returns
- standard system on status, pre alarm condition, alarm condition through LCD bars and LEDs (green, yellow, red)
- system diagnostic
- key switch
- internal buzzer for alarm and pre alarm signalling

Technical data

Power supply	9 to 30	Vdc	-
Digital inputs	2	-	-
LCD display	1	-	2x20 digits, 7 mm height, backlit
Power draw	200	mA	-
Operating temperature	-20 to 70	°C	-
Calibration	via RS-232	-	-
Standard protection grade	IP65	-	-

Dimensions [mm]



It is prohibited to use this apparatus/accessory until the machine onto which it is mounted has been declared in conformity with the Machine Directive 98/37/EEC.

BPE Electronics Srl should modify technical data without advise

GPD v.2.00 2008