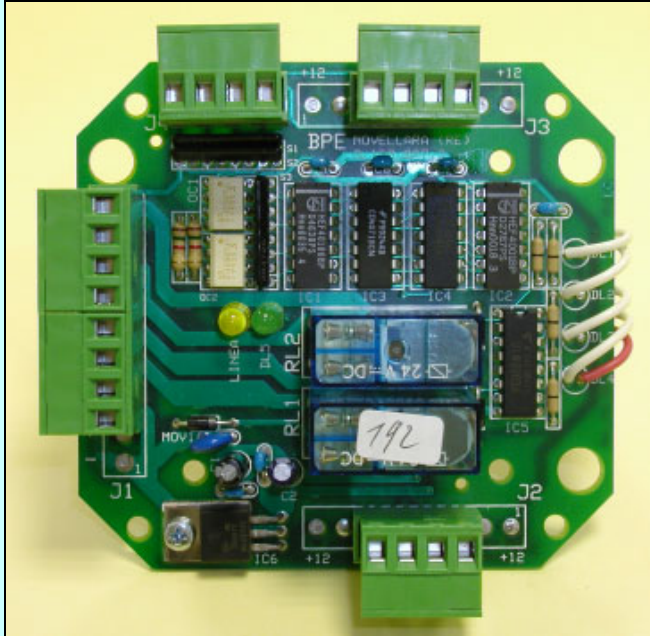


# Outrigger stand control

## CSCM Series



### Description

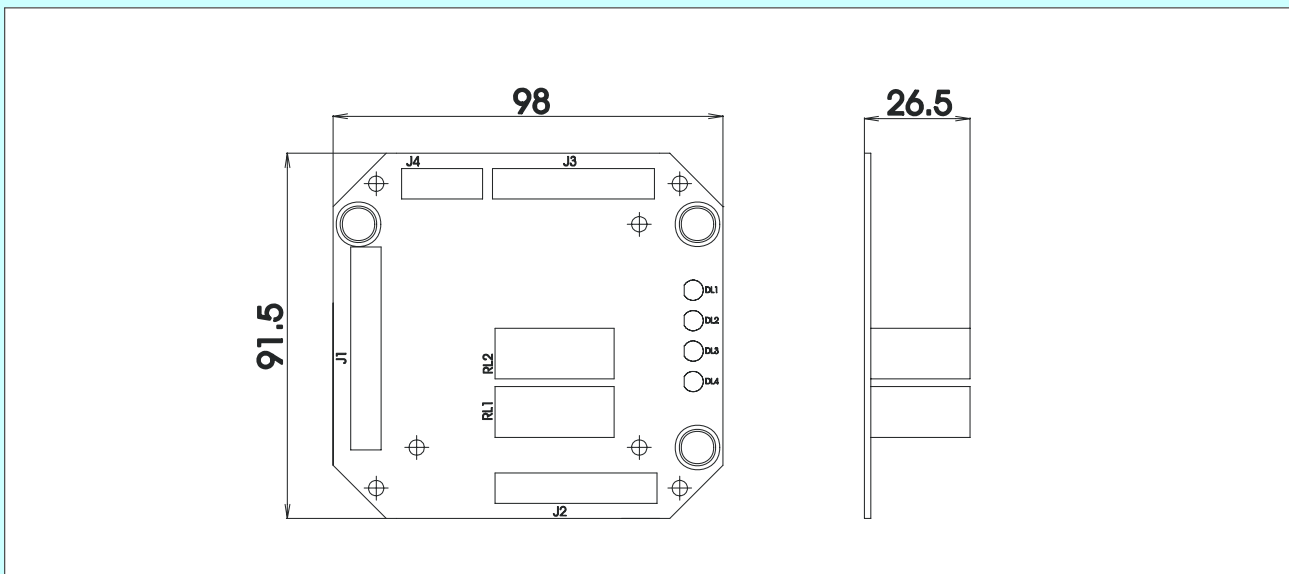
Digital electronic board to control feed-out and positioning of 4 outrigger stands.  
 Receives 4 ON/OFF signals from 4 (or 8 if two are mounted in series) contacts or proximities on the input.  
 The board has two normally activated positive relay outputs (safety logic) with NO, NC and C contacts available for handling alarms and prealarms and to enable the outrigger stands to position correctly.  
 The prealarm condition activates when a stand lifts while the alarm condition activates if two stands lift.  
 Supplied in a casing on request. External indicator light available.

Safety: Category B (EN 954-1).

### Technical data

Power supply	9 to 30	Vdc	-
Digital inputs	4	-	ON/OFF type.
Outputs	2x36	W	With relays
Indicator leds	4 red 1 green 1 green	-	These go out when each stand has correctly positioned This come on to indicate that all 4 stands have correctly positioned This comes on to indicate that the board is correctly powered
Operating temperature	-20 to 70	°C	-
Standard protection grade	IP55	-	In BPE box

### Dimensions [mm]



It is prohibited to use this apparatus/accessory until the machine onto which it is mounted has been declared in conformity with the Machine Directive 98/37/EEC.

BPE Electronics Srl should modify technical datas without advise

CSCM v.1.01.2002