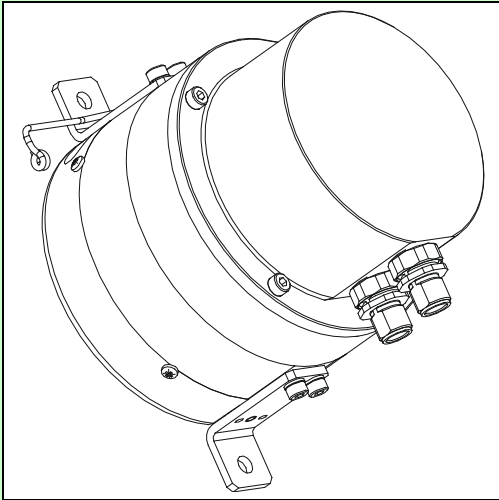


Angle/Length transducers

A/SM Series



Description

- Transducer for work area management
- It can be used for cranes, truck mounted cranes and aerial platforms
- Electronic angular sensor
- Potentiometric length sensor
- CAN output on request
- Double sensors version on request
- Waterproof, compact aluminium body
- Easy to install
- Right or left side mounting version
- Electrical connection with M12x1 connectors. On request orientation every 90 degrees.

Note: the user/installer is responsible for evaluating the values and, thus, the safety of the application.

Technical data

Model	Sensors No.	Working length measurement
A/SSM 2.0	1 / 1	2.0 m
A/SSM 4.0	1 / 1	4.0 m
A/SSM 5.5	1 / 1	5.5 m

Model	Sensors No.	Working length measurement
A/SDM 2.0	2 / 2	2.0 m
A/SDM 4.0	2 / 2	4.0 m
A/SDM 5.5	2 / 2	5.5 m

Common characteristics

Measurable angle	± 180 degrees
Max input voltage (*)	5.0 (9 to 33) Vdc
Output voltage rating	from 5% to 95% Vin
Operating temperature	-20 to 70 °C
Weight	2.0 kg

Accuracy (non linearity, hysteresis and repeatability)		
- Angle sensor	± 0.5	%FS
- Length sensor	± 1.0	%FS
Standard protection grade	IP 65	-

(*) With power supply from BPE boards. For CAN version, the power supply is from 9 to 33 Vdc from battery.

Dimensions [mm]

