

GROUP 2 PUMPS - HERCULES SERIES

BEARINGS

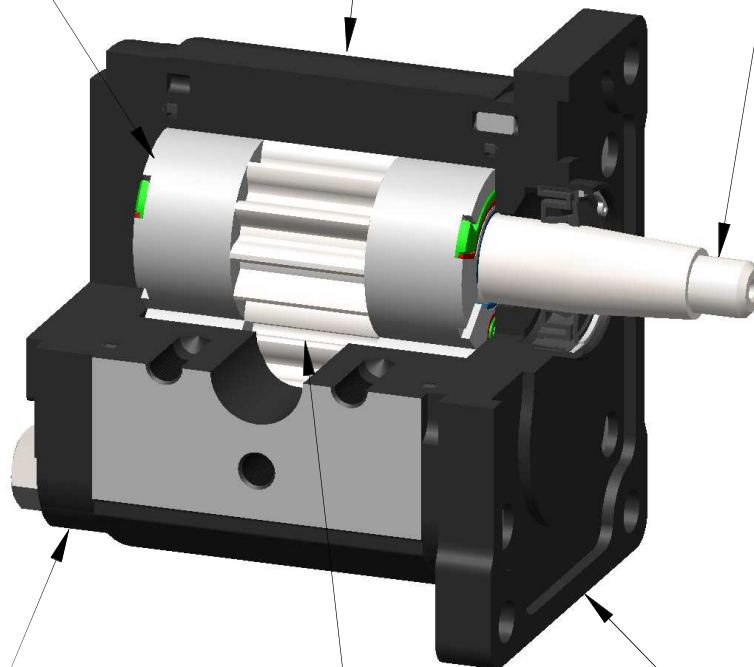
- Hi-resistant aluminium alloy with DU sleeve bearings to offer high performances.
- Available in bronze material

GEAR HOUSING

Made in cast iron material
G30

DRIVE SHAFTS

Choice of several standard
drive shafts



COVER

Made in cast iron material
and available with suction
port

MOUNTING FLANGES

Choice of several mounting
flanges in cast iron

GEARS

Designed specifically to reduce
the noise level and offer the
best performance between
flow pulsation and
displacements