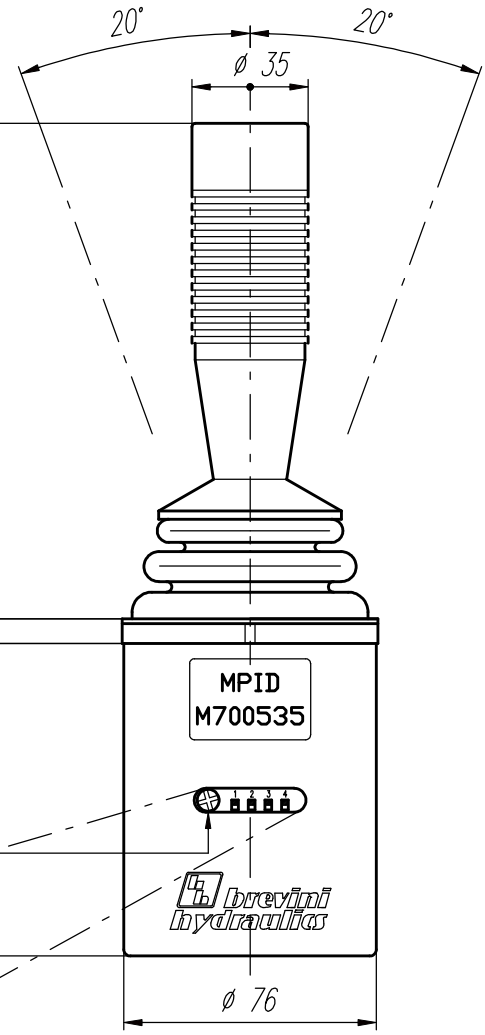
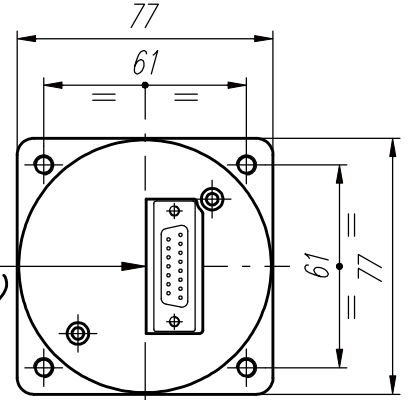


*Joystick connector detail
 (SUB D15-male contacts)*

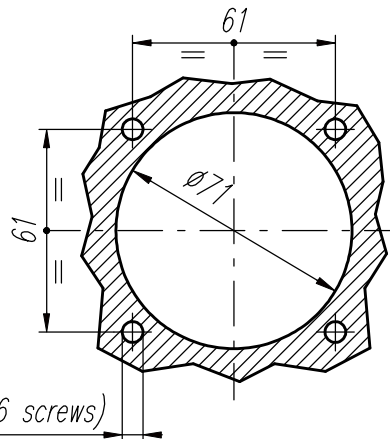


- 1 = U-
 - 2 = A / B common X axis
 - 3 = A output control, X axis
 - 4 = B output control, X axis
 - 5 = B output control, Y axis
 - 6 = A output control, Y axis
 - 7 = A / B common Y axis
 - 8 = U+
 - 9 = "A" port, directional output (max. load 30 mA)
 - 10 = "B" port, directional output (max. load 30 mA)
 - 11 = (free)
 - 12 = (free)
 - 13 = (free)
 - 14 = "B" port, directional output (max. load 30 mA)
 - 15 = "A" port, directional output (max. load 30 mA)
- } X Axis
- } Y Axis

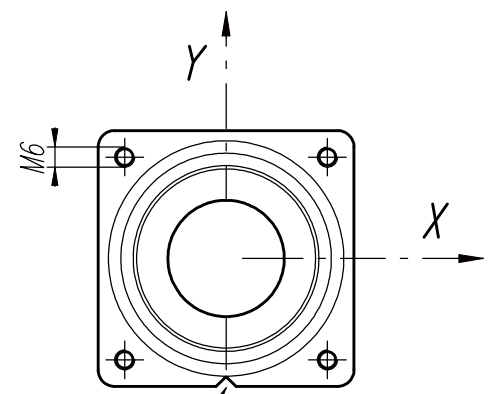
*TRIMMING POTENTIOMETER
 K POSITION*



PANEL MOUNTING DETAILS



∅ 6.25 (4 holes to fit M6 screws)



*ident mark on this face
 (orientation mark)*

