

## MPIAZ joystick, ordering code JMPIAZM7022LD

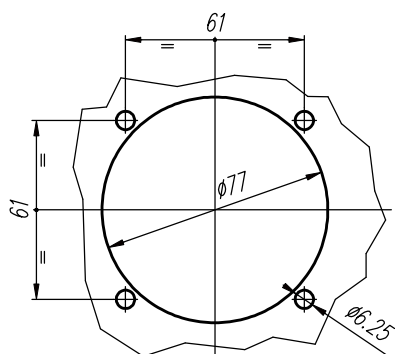
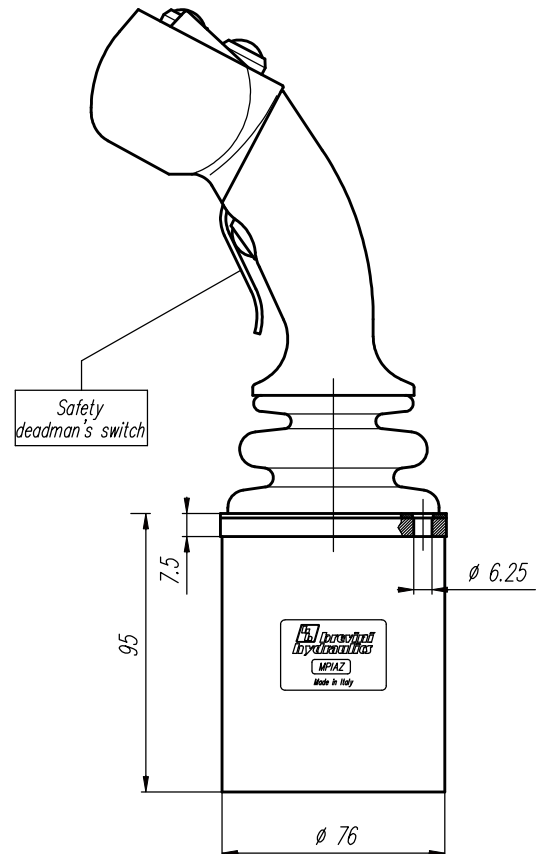
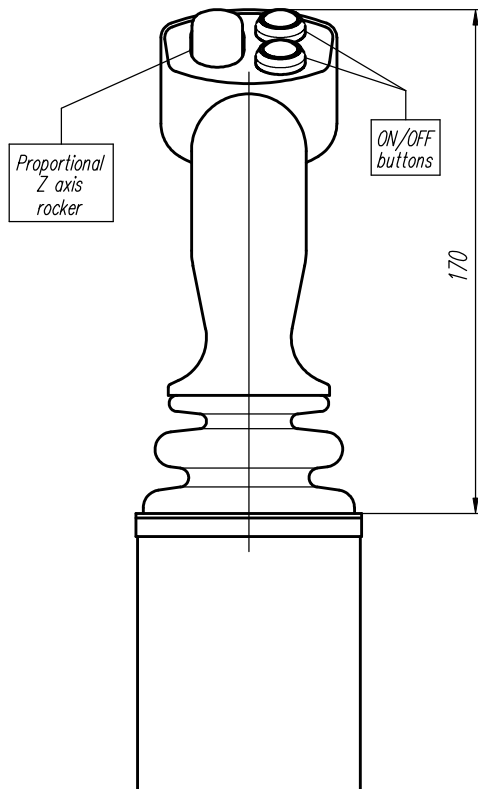
The MPIAZ joystick is a strong and compact newly designed device, whose ergonomic shape is handily organised.

The deadman's switches and many other remote control functions can be implemented and operated conveniently.

It is developed to meet mobile machinery market requirements, where it is increasingly important to handle the power transmission supply with integrated remote control.

The MPIAZ is simple to fit and replace and is made up of a standard module with two proportional axes and a hand grip that can house several combinations of other proportional axes (in total they can be 4) and ON/OFF outputs.

Besides allowing all the electronic features already fitted on the MPIAZ joystick (ramp generator and electronic flow adjustment) on this new model a dead band compensation has been added (only for proportional axes).



Panel mounting details

