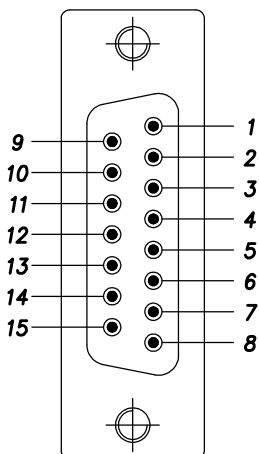


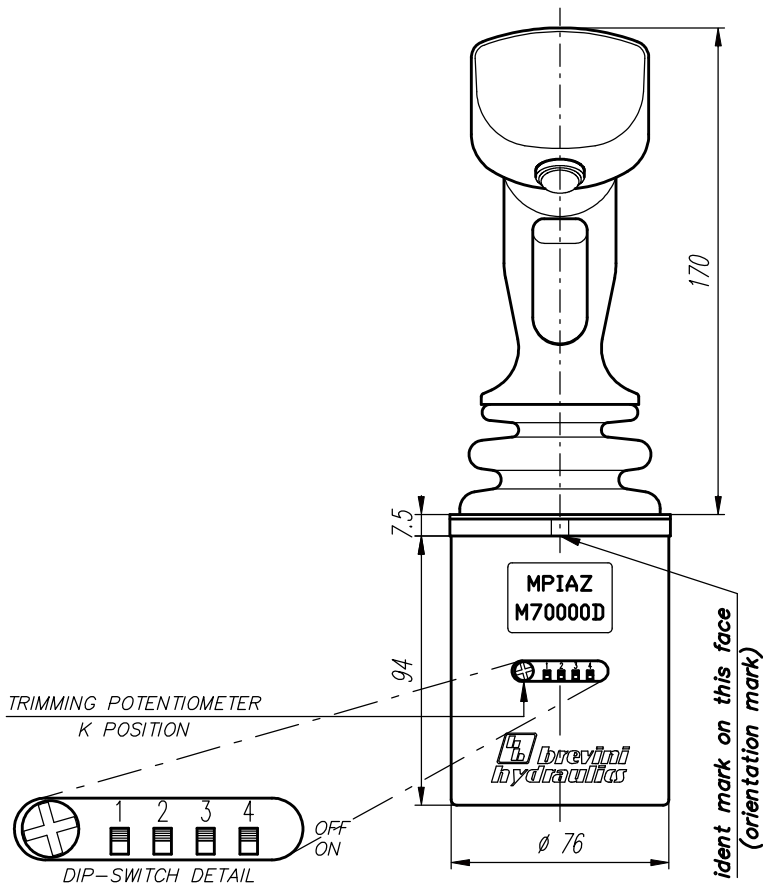
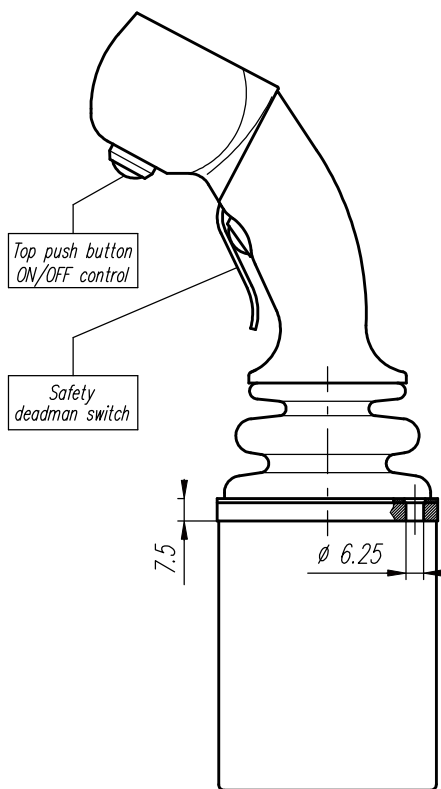
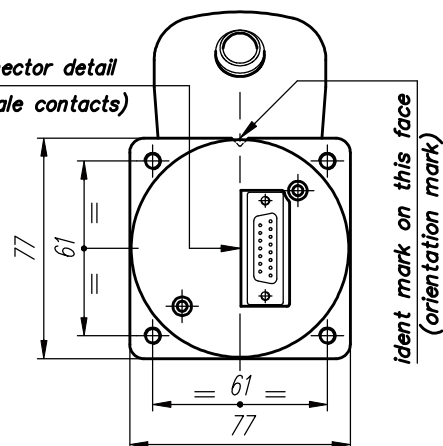
- 1 = U-
- 2 = A / B common X axis
- 3 = A output control, X axis
- 4 = B output control, X axis
- 5 = B output control, Y axis
- 6 = A output control, Y axis
- 7 = A / B common Y axis
- 8 = U+
- 9 = "A" port, directional output (max. load 30 mA)
- 10 = "B" port, directional output (max. load 30 mA)
- 11 = Safety deadman switch on
- 12 = Common safety deadman switch
- 13 = Top push button on/off control (max. load 30 mA)
- 14 = "B" port, directional output (max. load 30 mA)
- 15 = "A" port, directional output (max. load 30 mA)

X Axis

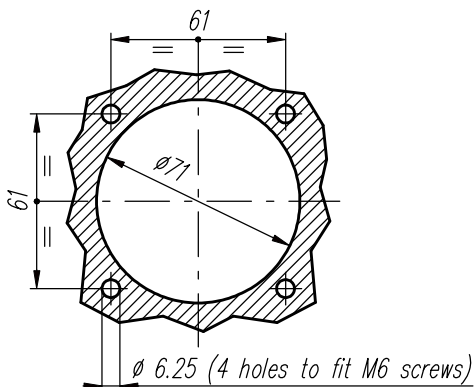
Y Axis



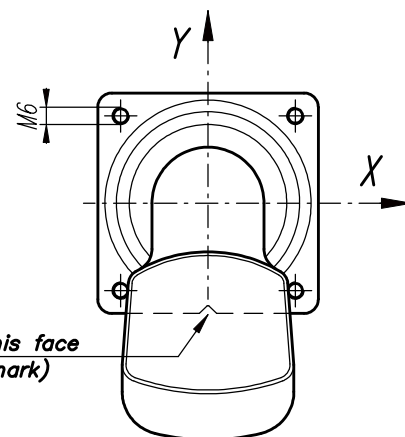
Joystick connector detail
(SUB D15-male contacts)

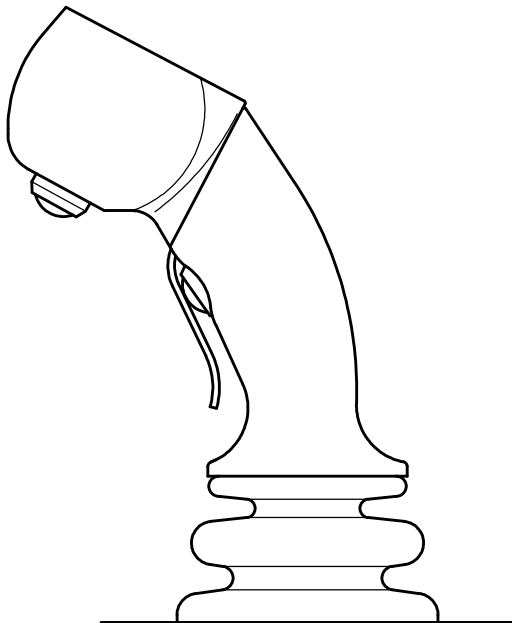


PANEL MOUNTING DETAILS



ident mark on this face
(orientation mark)





— = signal leads (min. cross-section 0.50 mm²)
 — = supply leads (min. cross-section 0.75 mm²)

