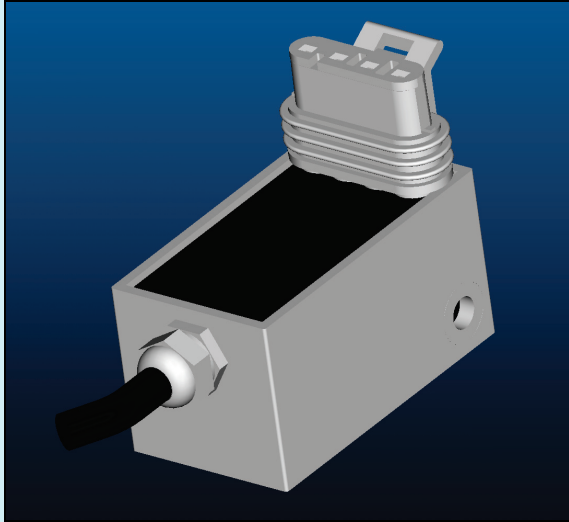


# Amplifier for differential transducers

## Series ADS-100



### Description

- Differential to “0.5÷4.5” Vdc voltage amplified signals conversion
- Available programmed or, on request, custom programmable
- Available for 12/24 Vdc power sources
- Protected against over tensions and polarity inversion
- Amplified signal output protected against short circuit

### Technical data

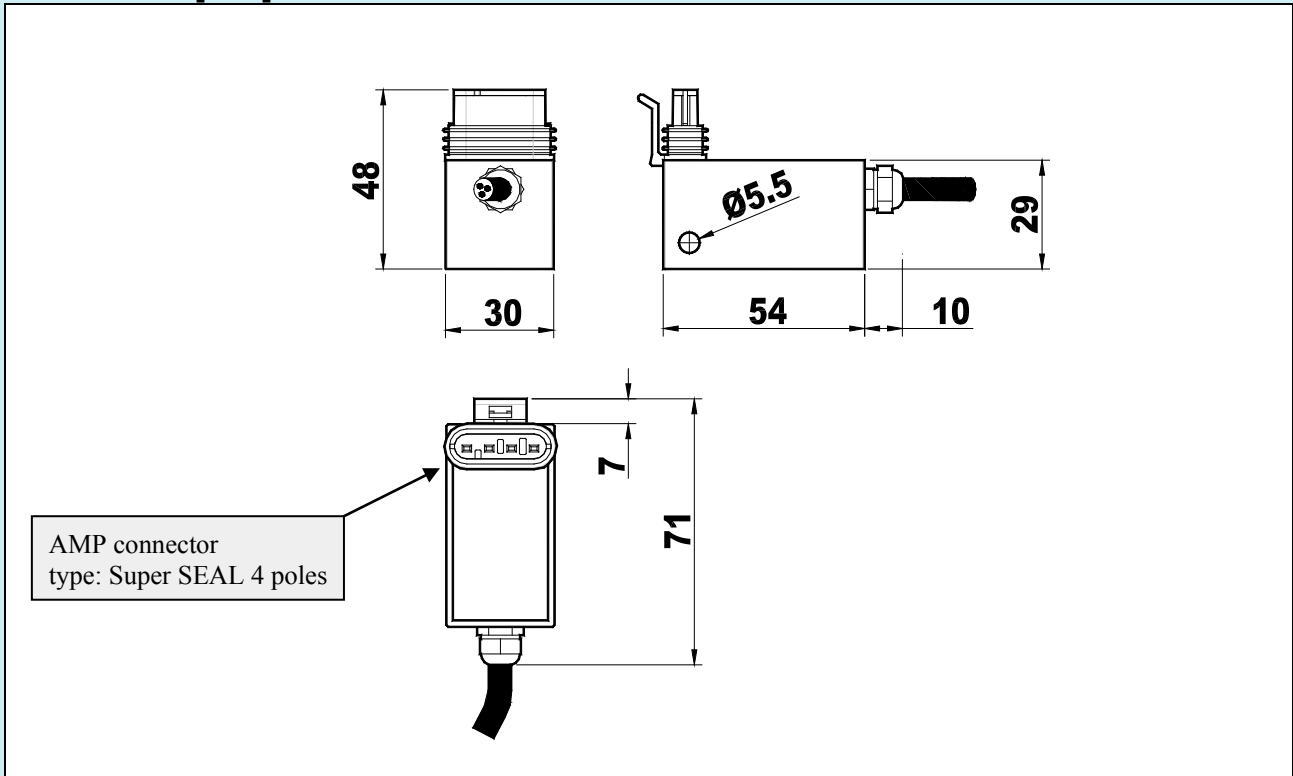
Power supply	8.4 to 30	Vdc
Differential input	$\leq \pm 26$	mV/v
Standard output	0.5 ÷ 4.5 (*)	Vdc
Max current	20	mA

Output resistor	$\leq 10$	$\Omega$
Input resistor	$87.5 (**)\leq R_i \leq 10000$	$\Omega$
Operating temperature	-40 to 70	$^{\circ}\text{C}$
Standard protection grade	IP 67	-

(\*) Programmable in the “0.02 ÷ 5” Vdc range, function of the application

(\*\*) Function of the power supply

### Dimensions [mm]



It is prohibited to use this apparatus/accessory until the machine onto which it is mounted has been declared in conformity with the Machine Directive 98/37/EEC.

BPE Electronics Srl should modify technical datas without advise

ADS-100 v.1.02.2009