

Normally Closed *Normalde Kapalı*



T-PAT 500 / 3/4"



T-PAT 501 / 1"



T-PAT 502 1 1/2"



Application/Uygulama

Coil/Bobin

T-SB10	220 V AC
T-SB11	110 V AC
T-SB12	24 V AC
T-SB13	12 V AC
T-SB14	24 V DC
T-SB15	12 V DC

Fig A

• Siparişte bobin tip ve voltajı belirtilmeli.

- 1- Valf gövdesi / Valve body
- 2- Diyafram / Diaphragm
- 3- Diyafram yayı / Diaphragm spring
- 4- Kapak / Lid
- 5- Üst kapak / Over lid
- 6- Üst diyafram / Over diaphragm
- 7- Çekirdek / Plunger (St.-St)
- 8- Kovan / Tube (St.-St)
- 9- Bobin / Coil (H class)
- 10- Soket / Plug (IP65)

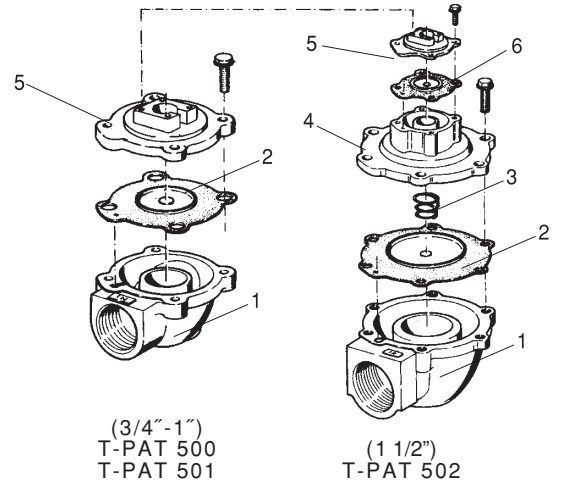
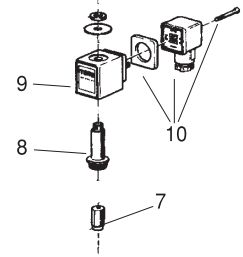
UYGULAMA

APPLICATION

- Hava
- Torbalı Filtreler
- Elektrostatik Boya Kabinleri
- Bunkerler

- Air
- Dust Filters
- Bunkers
- Dust Extractors
- Electrostatic painting cabinets filters
- Dust collector system

Spare parts/Yedek Parçalar



(3/4"-1")
T-PAT 500
T-PAT 501

(1 1/2")
T-PAT 502

Connection Size	orifice size	Pressure min / max		KV	Fluid Temperature		Seal	Valve Type / Order no	Weight
		bar	bar		min	max			
G	mm			lt/min	min	max		T-PAT	(kg)
3/4"	20	0.5	8	200	-10	90	Neoprane	T-PAT 500	0.7
1"	25	0.5	8	235	-10	90	Neoprane	T-PAT 501	0.7
1 1/2"	45	0.5	8	650	-10	90	Neoprane	T-PAT 502	1.5
2"	50	0.5	8	740	-10	90	Neoprane	T-PAT 503	2.24
2 1/2"	65	0.5	8	960	-10	90	Neoprane	T-PAT 504	3.50
3"	80	0.5	8	1420	-10	90	Neoprane	T-PAT 505	3.85

Specify coil voltage with order, fig A

Normally Closed *Normalde Kapalı*

G=1 1/2"



G=3/4" & G=1"



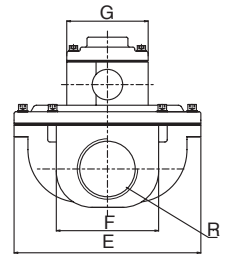
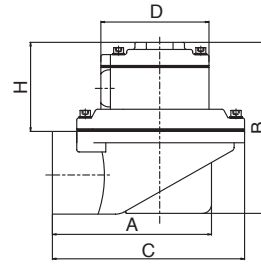
G=3"

UYGULAMA

APPLICATION

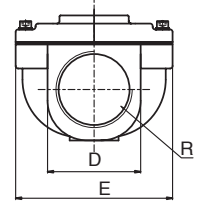
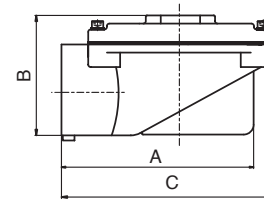
- Hava
- Torbalı Filtreler
- Elektrostatik Boya Kabinleri
- Bunkerler

- Air
- Dust Filters
- Bunkers
- Dust Extractors
- Electrostatic painting cabinets filters
- Dust collector system



Dimension / Ölçüler

R	A	B	C	D	E	F	G	G
1 1/2"	99	117.3	126	68	136.8	64	60	57.6



Dimension / Ölçüler

R	A	B	C	D	E
3/4"	73.5	58.5	90	42.8	75
1"	73.5	58.5	90	42.8	75

Remote control (Bobinsiz uzaktan kumanda kutusundan kontrol edilir.)

Connection Size	Orifice size	Pressure min / max		KV	Fluid Temperature		Seal	Valve Type / Order no	Weight	
		bar	bar		min	max				
G	mm	bar	bar	lt/min	min	max	°C	T-PAT	(kg)	
3/4"	25	0.5	8	235	-10	90		Neoprene	T-PAT 500.B	0.7
1"	25	0.5	8	235	-10	90		Neoprene	T-PAT 501.B	0.7
1 1/2"	45	0.5	8	650	-10	90		Neoprene	T-PAT 502.B	1.5
2"	50	0.5	8	740	-10	90		Neoprene	T-PAT 503.B	2.15
2 1/2"	65	0.5	8	960	-10	90		Neoprene	T-PAT 504.B	3.145
3"	80	0.5	8	1420	-10	90		Neoprene	T-PAT 505.B	3.80

T-PAT500.BR
501.BR
502.BR
502.BRD**COUPLING INTEGRAL PULSE VALVES***Rekorlu Bobinli Patlaç Solenoid Valfler***TORK®****Normally Closed** *Normalde Kapalı***Coil/Bobin**

T-SB10	220 V AC
T-SB11	110 V AC
T-SB12	24 V AC
T-SB13	12 V AC
T-SB14	24 V DC
T-SB15	12 V DC

Fig A

• Siparişte bobin tip ve voltajı belirtilmeli.

**UYGULAMA****APPLICATION**

- Hava
- Torbalı Filtreler
- Elektrostatik Boya Kabinleri
- Bunkerler

- Air
- Dust Filters
- Bunkers
- Dust Extractors
- Electrostatic painting cabinets filters
- Dust collector system

Connection Size	Orifice size	Pressure min / max		Cv Flow Factor	Fluid Temperature		Seal	Valve Type / Order no	Weight
		bar	bar		min	max			
G	mm	bar	bar	lt/min	min	max		T-PAT	(kg)
3/4"	20	0.5	9.5	10.5	0	110	NBR	T-PAT 500.BR	0.95
2"	25	0.5	9.5	18.7	0	110	NBR	T-PAT 501.BR	1.29
1 1/2"	45	0.5	9.5	53.9	0	110	NBR	T-PAT 502.BR	2.03
1 1/2"	45	0.5	9.8	53.9	0	110	NBR	T-PAT 502.BRD	2.11

Specify coil voltage with order, fig A

T-PAT500.WBR
501.WBR
502.WBR
502.WBRD**COUPLING REMOTE CONTROL PULSE VALVES***Rekorlu Bobinsiz Patlaç Valf***TORK®****Normally Closed** *Normalde Kapalı***UYGULAMA****APPLICATION**

- Hava
- Su
- Gas

- Air
- Water
- Inert Gas

Remote control (Bobinsiz uzaktan kumanda kutusundan kontrol edilir.)

Connection Size	Orifice size	Pressure min / max		Cv Flow Factor	Fluid Temperature		Seal	Valve Type / Order no	Weight
		bar	bar		min	max			
G	mm	bar	bar		min	max		T-PAT	(kg)
3/4"	20	0.5	7.5	10.5	0	110	NBR	T-PAT 500.WBR	0.55
1"	25	0.5	7.5	18.7	0	110	NBR	T-PAT 501.WBR	0.86
1 1/2"	45	0.5	7.5	53.9	0	110	NBR	T-PAT 502.WBR	1.67
1 1/2"	45	0.5	8.5	53.9	0	110	NBR	T-PAT 502.WBRD	1.77

T-PAT500.WBF
501.WBF
502.WBF
502.WBF**FLANGED INTEGRAL PULSE VALVES****TORK®**

SERIES

*Flanşlı Bobinli Patlaç Valf***Normally Closed** *Normalde Kapalı***Coil/Bobin**

T-SB10	220 V AC
T-SB11	110 V AC
T-SB12	24 V AC
T-SB13	12 V AC
T-SB14	24 V DC
T-SB15	12 V DC

Fig A

• Siparişte bobin tip ve voltajı belirtilmeli.

UYGULAMA**APPLICATION**

- Hava
- Torbalı Filtreler
- Bunkerler

- Air
- Dust bag filters

Connection Size	Orifice size	Pressure min / max		Cv Flow Factor	Fluid Temperature		Seal	Valve Type / Order no	Weight
		bar	bar		min	max			
G	mm				°C			T-PAT	(kg)
F 1 1/2" / R1"	25	0.5	7.5	39	0	110	NBR	T-PAT 502.BF	1.26
F 2" / R 1 1/2"	45	0.5	7.5	68.5	0	110	NBR	T-PAT 503.BF	2.06
F 2" / R 1 1/2"	45	0.5	8.5	68.5	0	110	NBR	T-PAT 503.BFD	2.12

Specify coil voltage with order, fig A

T-PAT5840.F
5850.F
5450.F**FLANGE REMOTE CONTROL PULSE VALVES****TORK®**

SERIES

*Flanşlı Bobinsiz Patlaç Valf***Normally Closed** *Normalde Kapalı***UYGULAMA****APPLICATION**

- Hava
- Torbalı Filtreler
- Bunkerler

- Air
- Dust bag filters

Connection Size	Orifice size	Pressure min / max		Cv Flow Factor	Fluid Temperature		Seal	Valve Type / Order no	Weight
		bar	bar		min	max			
G	mm				°C			T-PAT	(kg)
F 1 1/2" / R1"	25	0	7.5	39	0	110	NBR	T-PAT 502.WBF	0.92
F 2" / R 1 1/2"	45	0	7.5	68.5	0	110	NBR	T-PAT 503.WBF	1.7
F 2" / R 1 1/2"	45	0	8.5	68.5	0	110	NBR	T-PAT 503.WBFD	1.8

T-ZR**ZR
SERIES****PULSE VALVE TIMER****Patlaç Valf Kontrol Zaman Rolesi****TORK®**

Zaman roleleri patlaç valfleri ayarlanan belirli aralıklarda sinyal göndererek kontrol etmek amaçlı ile kullanılır.

T-ZR timers are used for the control of pulse valves

Tip Numarası
Type No

Çıkış / Output

T-ZR 8

8 çıkış / 8 outputs

T-ZR 16

16 çıkış / 16 outputs

T-ZR 24

24 çıkış / 24 outputs

T-ZR 32

32 çıkış / 32 outputs